



**Parts List
M-35**

Part number 200145
Edition 1
October, 1990



UNIVERSAL ENGINE DATA

Model	Cubic Inches	Horsepower	# Cylinders	Weight	Block Model	Years	Approx. Qty. Sold
M-12.....	24.4.....	10.....	2.....	175.....	Z-400.....	83-88.....	1200
** M2-12.....	26.....	11.....	2.....	175.....	Z-430.....	87-Current.....	320
M-15.....	31.....	11.....	2.....	245.....	Z-500.....	82-83.....	370
M-18.....	34.8.....	14.....	2.....	255.....	Z-600.....	83-88.....	2400
M-20.....	45.....	16.....	2.....	365.....	Z-751.....	82-83.....	230
** M3-20.....	38.9.....	18.....	3.....	235.....	D-640.....	88-Current.....	525
M-25.....	52.....	21.....	3.....	285.....	D-850.....	81-86.....	3650
M-25XP.....	57.....	23.....	3.....	285.....	D-950.....	86-Current.....	3100
M-30.....	68.....	24.....	3.....	425.....	D-1101&1102.....	83-87.....	400
** M4-30.....	52.....	25.....	4.....	270.....	Y-850.....	88-Current.....	470
M-35.....	75.5.....	30.....	4.....	335.....	V-1200.....	87-Current.....	280
M-40.....	91.....	32.....	4.....	545.....	V-1502.....	82-Current.....	360
M-50.....	115.....	44.....	4.....	545.....	V-1902.....	82-Current.....	520
<hr/>							
* 5411(M15).....	31.....	11.....	2.....	245.....	Z-500.....	77-82.....	2900
* 5416(M20).....	45.....	16.....	2.....	365.....	Z-751.....	76-82.....	1000
* 5421(M25).....	52.....	21.....	3.....	285.....	D-850.....	78-81.....	1000
* 5424(M30).....	68.....	24.....	3.....	425.....	D-1101.....	77-83.....	1050
* 5432(M40).....	91.....	32.....	4.....	490.....	V-1501.....	78-82.....	650
* 5444(M50).....	115.....	44.....	4.....	545.....	V-1902.....	80-82.....	280

* These models have been discontinued. The models that replace them are in parenthesis.

** Mini series.



UNIVERSAL DIESEL FAST MOVING PARTS

Model: M-35 **Number of cylinders:** 4 **Mfg. Years:** 1987-CURRENT
Cubic Inches: 75.5 **Horsepower:** 30 **Weight:** 335

Air Filter	-	301138	Oil Pressure Switch	-	299964	
Air Filter Element	-	301049	Panel, Standard	-	300680	
Alternator	-	302280	Panel, Deluxe	-	300685	
Ammeter	-	300668	Panel, Custom	-	300690	
Belt	-	300817	Pump, Fresh Water	-	302503	
Dipstick	-	302432	Pump, Mounting Gasket	-	300204	
Exhaust Manifold	-	302092	Pump, Rebuild Kit	-	N/A	
Exhaust Manifold Gasket	-	302506	Pump, Sea Water	-	302648	(C)
Filter, Lube Oil	-	300209	Pump Mounting Gasket	-	302678	
Filter, Fuel Oil	-	298854	Pump, Impeller	-	302875	
Filter, Electric Lift	-	300128	Pump, Repair Kit	-	N/A	
Gasket, Head	-	302442	Pump, Seal	-	302885	
Gasket, Oil Pan	-	302431	Pump Conversion Kit			
Gasket Set, Upper	-	256931	(includes pump)	-	302837	
Gasket Set, Complete	-	256932	Pump Conversion Kit			
Glow Plug	-	301754	(excludes pump)	-	302838	
Harness, 5 FT. EXT.	-	300708	PTO Pulley Kit	-	302159	(D)
Harness, 10 FT. EXT.	-	300675	Pump, Fuel Lift	-	301385	
Harness, Engine	-	298586	Shim, Cylinder Head	-	302443	
(A) Heat Exchanger	-	302253	Spare Parts Kit A	-	256913	
(B) Heat Exchanger End Cap	-	301457	Spare Parts Kit B	-	256902	
Heat Exchanger Gasket	-	301457	Starter	-	302474	
Injector	-	302475	Starter Solenoid	-	N/A	
Injection Pump	-	302494	Tachometer	-	300684	
Injection Hardware Kit	-	N/A	Tachometer with Hour Meter	-	300687	
Injector Nozzle	-	301514	Tank, Coolant Recovery	-	300238	
Injector Return Line	-	SEE MANUAL	Thermostat Element	-	301358	
Isolators	-	300514	Thermostat Element Gasket	-	N/A	
Ignition Switch	-	300671	Thermostat MTG Gasket	-	300237	
Manuals, Operators	-	200157	Valve Cover Gasket	-	302450	
Manuals, Parts	-	200145	Water Temp Meter	-	300670	
Manuals, Technical	-	200155	Water Temp Sender	-	299066	
Oil Drain Washer Kit	-	301431	Water Injected Elbow	-	N/A	
Oil Pump	-	299405	Zinc	-	301068	(E)

Notes:

- A.) 302253 EXCHANGER - 3" DIAMETER; SITS ON BRACKET & MOUNTED WITH CLAMPS. 302631 EXCHANGER IS LATEST STYLE - 3" DIAMETER; CLAMPS ARE ATTACHED TO EXCHANGER FOR MOUNTING.
- B.) P/N 301457 CONSISTS OF GASKET, END CAP, & BOLT.
- C.) NEW STYLE SHERWOOD PUMP - DOES NOT HAVE END COVER PLATE. (INFORMATION ON OLD STYLE JOHNSON PUMP AVAILABLE IN PARTS MANUAL.)
- D.) THIS IS PULLEY ONLY. ALSO REQUIRED ARE 3 - 302046 CAPSCREWS.
- E.) 301068 FOR 3" DIAMETER EXCHANGER - 3/8 NPT X 1-1/2 X 1/2 DIAMETER.



TABLE OF CONTENTS

Alternator Group	44-45
Bell Housing Group	48-49
Camshaft Group	18-19
Control Panels	55-56
Crankcase Group	2-3
Cylinder Head Group	6-7
Engine Stop Lever Group	20-21
Flywheel Group	24-25
Fuel Camshaft Group	34-35
Fuel Filter Group	38-39
Gear Case Group	8-9
Governor Group	30-31
Head Cover Group	12-13
Heat Exchanger Group - New	46-47
Inlet Manifold Group	14-15
Main Bearing Case Group	10-11
Name Plate Group	42-43
Nozzle Holder	40-41
Nozzle Holder Group	26-27
Oil Pan Group	4-5
Novatron Panels	55
Piston Crankshaft Group	22-23
Johnson Water Pump	52-53

(Table of Contents Continued)

Speed Control Plate Group	28-29
Throttle Bracket Group	50-51
Valve Rocker Arm Group	16-17
Water Flange Group	32-33
Water Pump Group	36-37
Wiring Diagram	54

HOW TO ORDER PARTS

WHEN ORDERING PARTS, SPECIFY MODEL AND SERIAL NUMBER OF ENGINE.

This information is absolutely essential for the correct execution of your order. We do not hold ourselves responsible for errors or delays where this is lacking.

SERIAL NUMBER LOCATIONS

Stamped on upper left hand corner of block - ignition side - facing flywheel end (front of engine).

Stamped in block directly above flywheel housing, under front oil filler.

On engine nameplate located on reverse gear housing cover.

On engine nameplate located on engine manifold.

RETURNED PARTS

Parts may be returned for credit subject to authorization by the factory, factory inspection and acceptance upon receipt, and a 15% Re-Stocking charge.

A return goods authorization number must be requested from the factory prior to returning the parts.

All return shipments must be fully PREPAID and clearly marked with shipper's name and address.

LOSS OR DAMAGE IN TRANSIT

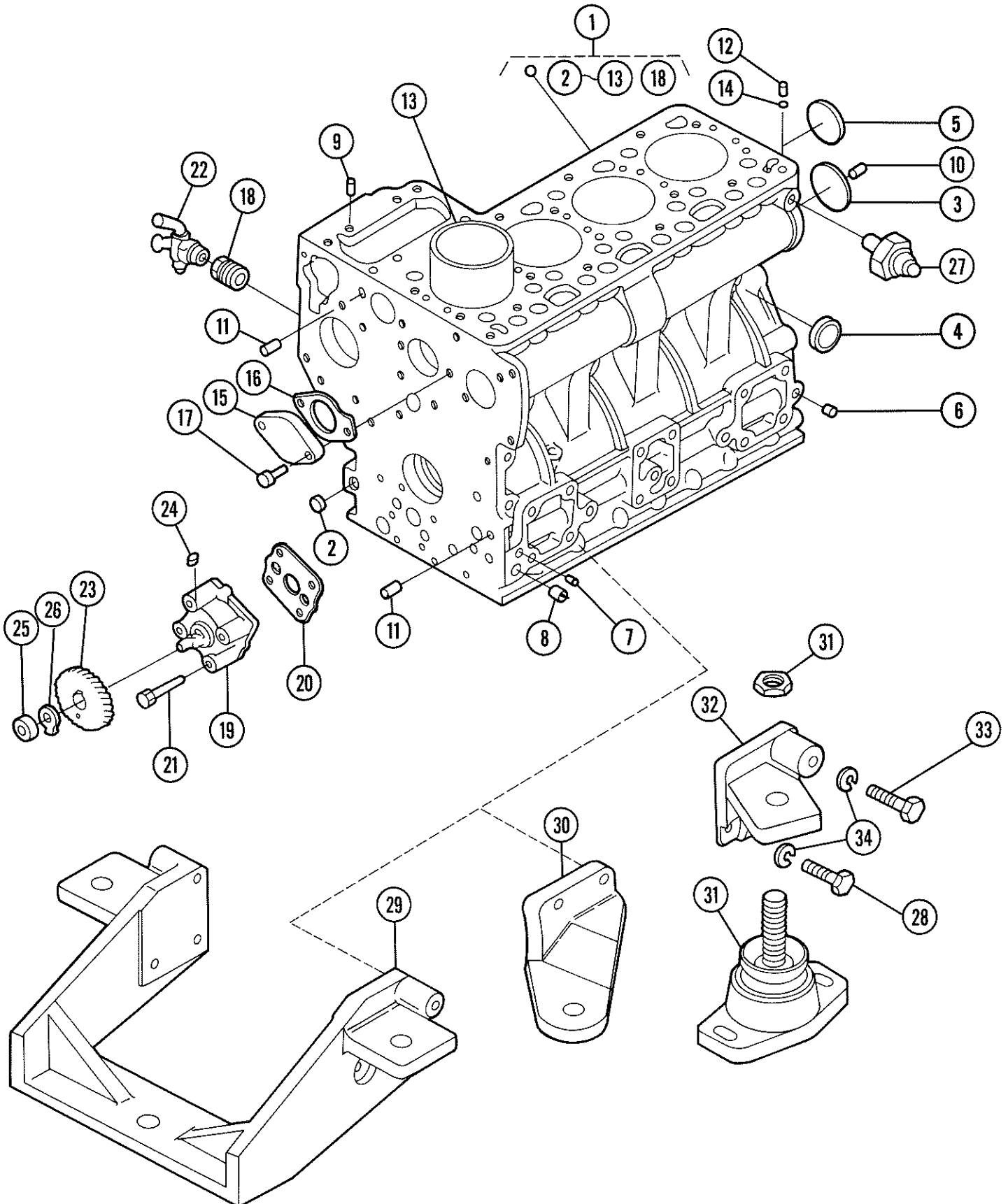
Our responsibility ceases upon delivery of shipments to the common carrier. Any claims for loss or damage in transit must be filed with the transportation company.

SHORTAGE CLAIMS

All claims for shortage must be filed within ten (10) days after receipt of shipment and must be accompanied by packing list.

ALL ORDERS FOR REPAIR PARTS MUST BE PLACED THROUGH OUR DISTRIBUTOR/DEALER IN YOUR AREA.

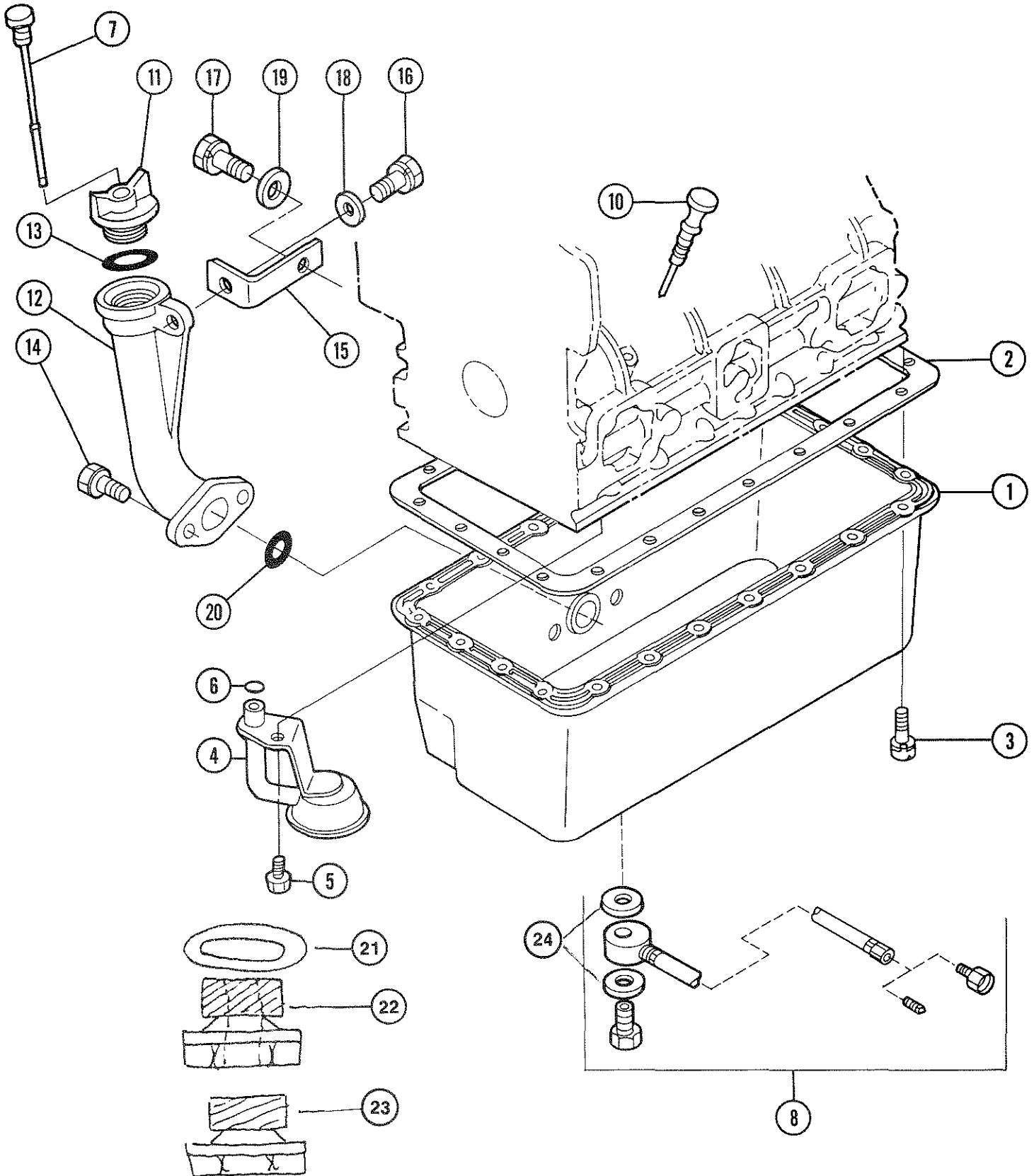
CRANKCASE GROUP



CRANKCASE GROUP

Item	Part No.	Unit	Description
1	302427	1	Complete Crankcase
2	302428	3	Plug
3	302429	1	Plug
4	299354	6	Sealing Cap
5	299355	1	Sealing Cap
6	299356	7	Plug
7	299357	3	Plug
8	299358	1	Plug
9	299359	2	Straight Pin
10	299360	2	Straight Pin
11	299354	2	Pipe Pin
12	301485	1	Pipe Pin
13	302272	4	Cylinder Liner
14	299362	1	O-Ring
15	301755	1	Water Cover
16	299364	1	Gasket
17	301256	2	Bolt
18	301486	1	Drain Cock Plug
19	299405	1	Oil Pump Assembly
20	299406	1	Oil Pump Gasket
21	300143	4	Bolt
22	301487	1	Drain Cock
23	299407	1	Pump Drive Gear
24	298758	1	Key
25	299409	1	Nut
26	299413	1	Washer
27	299964	1	Oil Switch
28	299510	4	Hex Head Cap Screw
29	301057	1	3-4 Point Combination Mount
30	300284	1	Front Port Side Mount 16"
	300286	1	Front Starboard Side Mount 16"
31	300514	4	Flexible Mount With Nuts
32	300961	1	Front Port Side Mount 11-1/2"
	300736	1	Front Starboard Side Mount 11-1/2"
33	298617	2	Hex Head Cap Screw
34	298463	6	Lockwasher

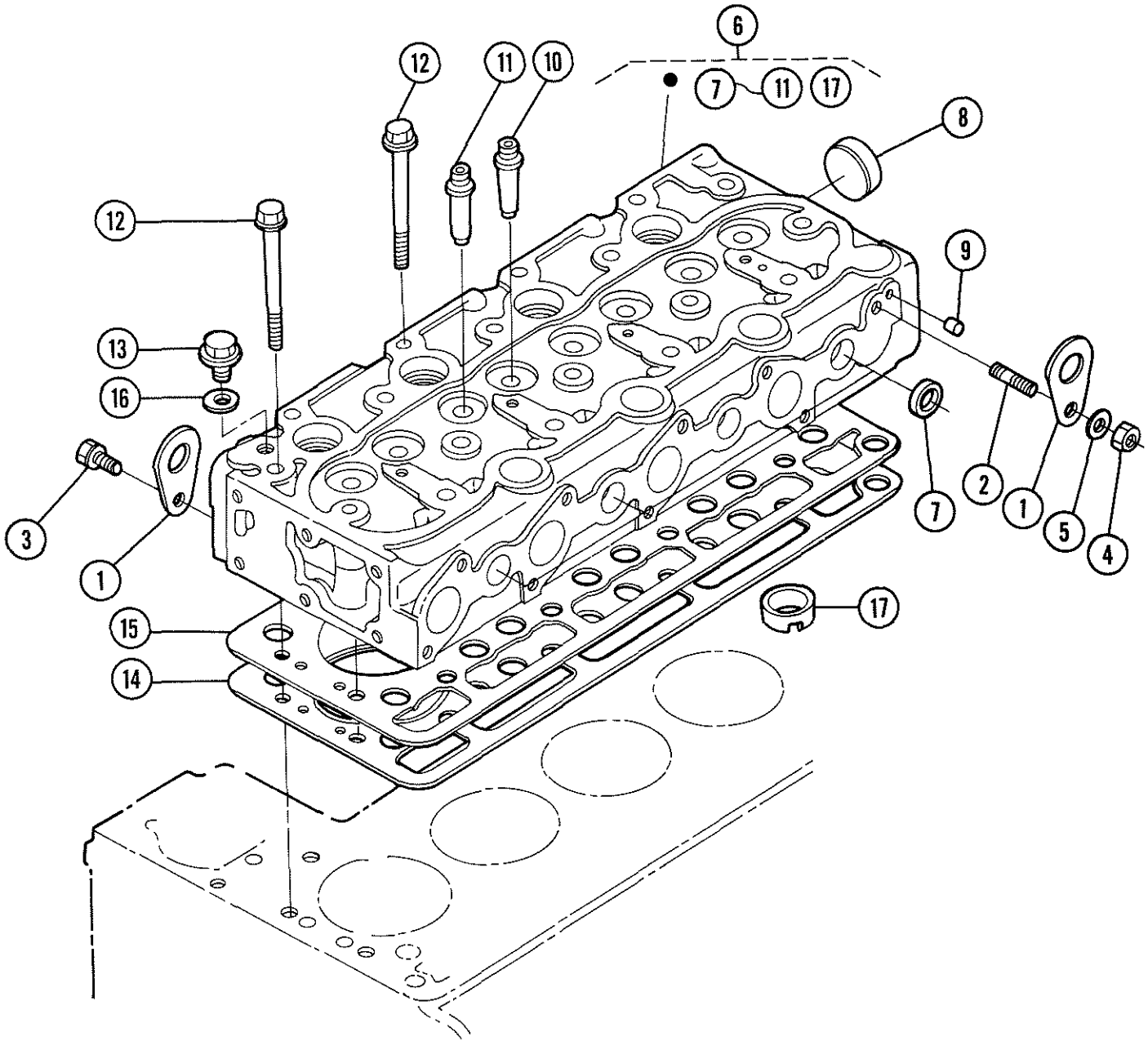
OIL PAN GROUP



OIL PAN GROUP

Item	Part No.	Unit	Description
1	302430	1	Complete Oil Pan
2	302431	1	Oil Pan Gasket
3	299368	22	Bolt
4	300133	1	Oil Pan Filter
5	301294	1	Bolt
6	298657	1	O-Ring
7	302432	1	Oil Gauge
8	300724	1	Oil Drain Kit
9			Use No. 8
10	302433	1	Rubber Plug
11	302434	1	Oil Filler Plug
12	302435	1	Flange
13	302436	1	O-Ring
14	301785	2	Bolt
15	302437	1	Flange Bracket
16	302438	1	Bolt
17	302439	1	Bolt
18	300031	1	Washer Plain
19	302440	2	Washer Plain
20	298740	1	O-Ring
21	300612	1	Oil Drain Plug Gskt
22	301023	1	Drain Plug Adapter (For Hose Kit)
23	300151	1	Drain Plug Only (No Hole)
24	301431	2	Washer Oil Drain Kit

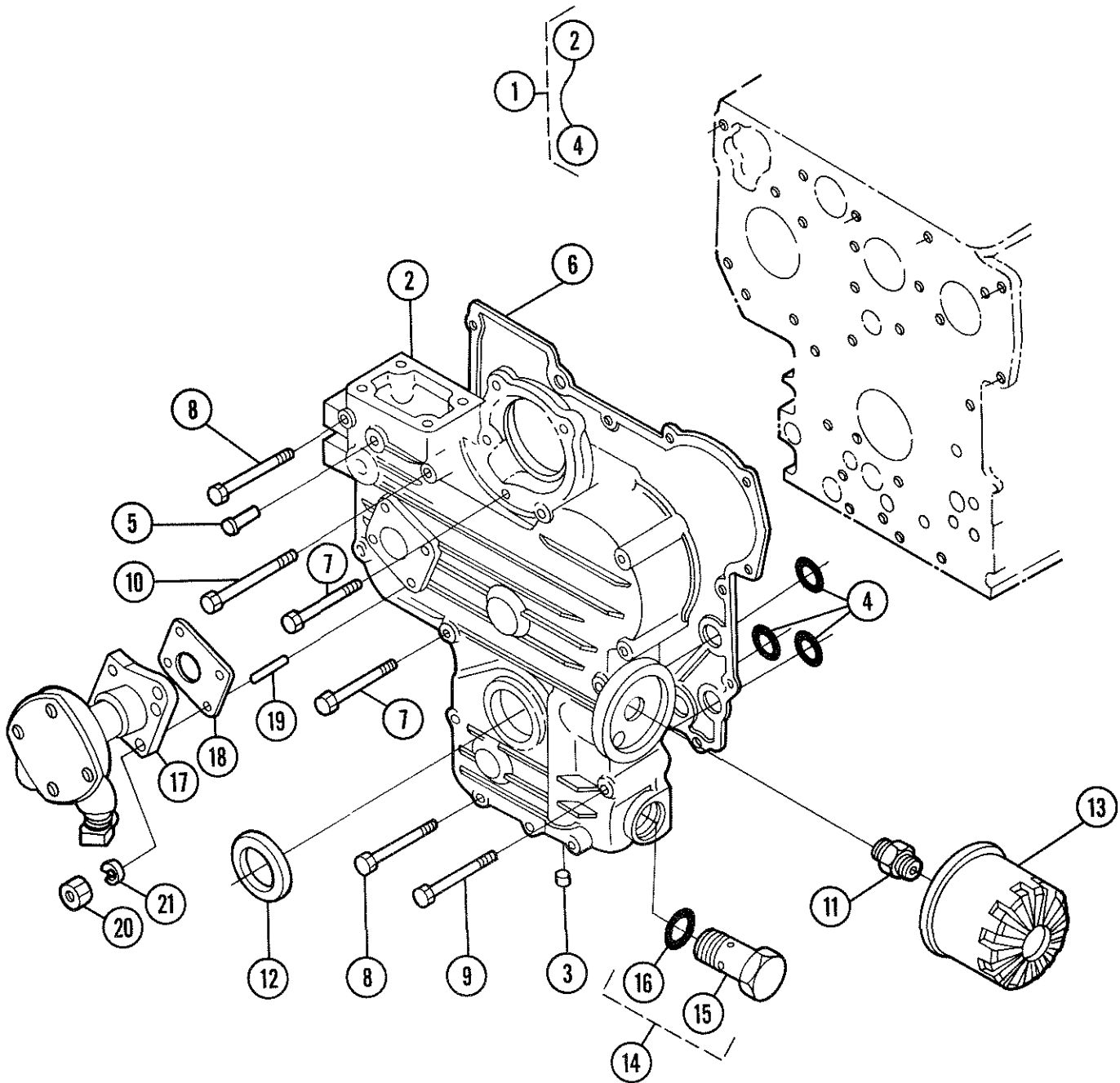
CYLINDER HEAD GROUP



CYLINDER HEAD GROUP

Item	Part No.	Unit	Description
1	298666	2	Engine Hock
2	300135	1	Stud
3	299485	1	Bolt
4	301297	1	Nut
5	299583	1	Lockwasher
6	302441	1	Complete Cylinder Head
7	299905	7	Sealing Cap
8	299354	1	Sealing Cap
9	299356	2	Plug
10	299386	4	Intake Valve Guide
11	299394	4	Exhaust Valve Guide
12	300137	18	Cylinder Head Bolt
13	300139	1	Plug
14	302442	1	Cylinder Head Gasket
15	302443	1	Cylinder Head Shim
16	299975	1	Seal Washer
17	299387	4	Combustion Chamber

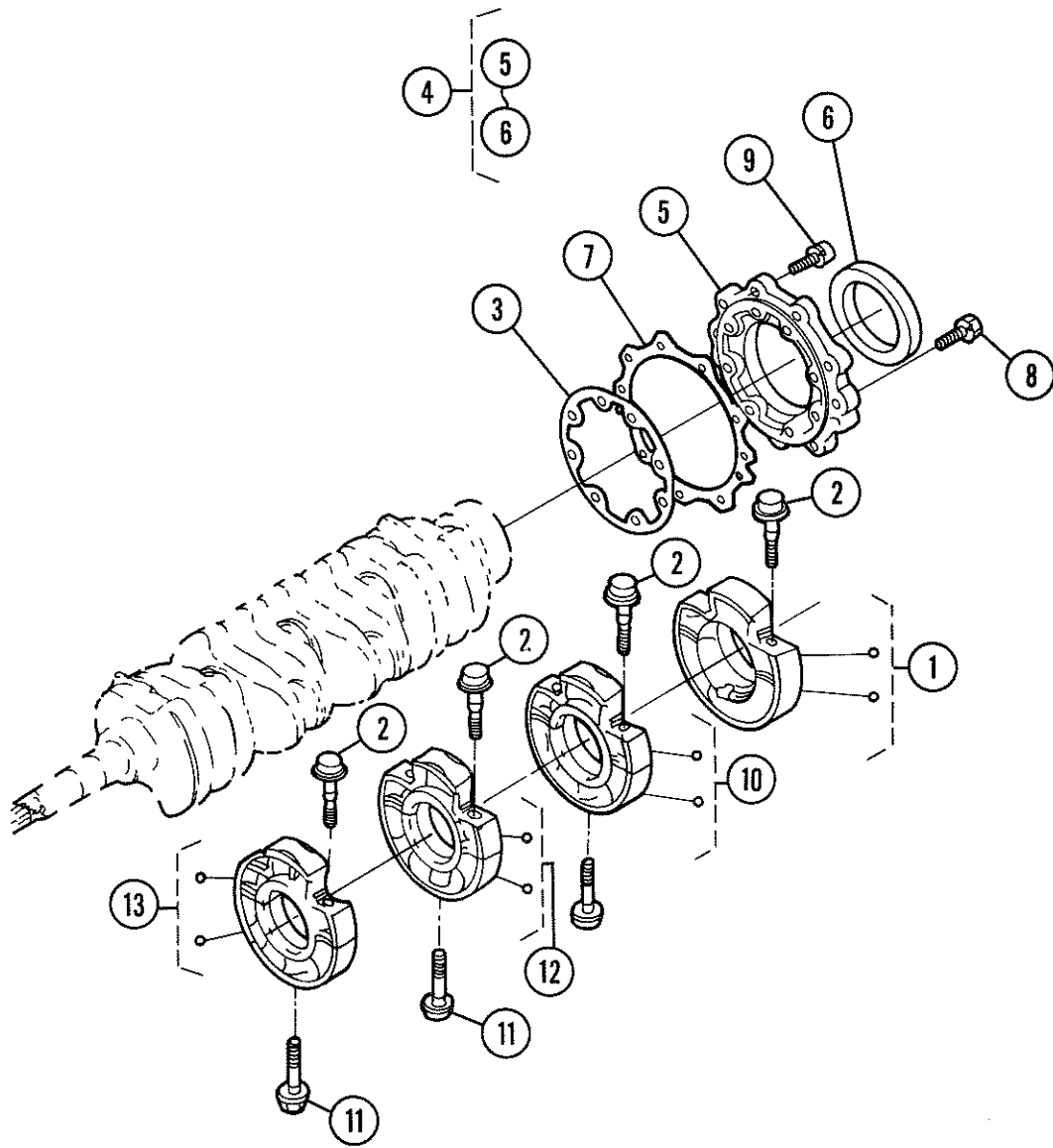
GEAR CASE GROUP



GEAR CASE GROUP

Item	Part No.	Unit	Description
1	300140	1	Gear Case Assembly
2			Use No. 1
3	299395	2	Plug
4	300160	3	O-Ring
5	301489	1	Start Spring Pin
6	300180	1	Gear Case Gasket
7	299399	7	Bolt
8	299400	5	Bolt
9	299401	1	Bolt
10	299402	1	Bolt
11	301490	1	Pipe Joint
12	299404	1	Oil Seal
13	300209	1	Oil Filter
14	299374	1	Relief Valve Assembly
15	299374	1	Relief Valve Assembly
16	299376	1	O-Ring
17	302259	1	Water Pump
18	298485	1	Pump Mounting Gasket
19	300096	4	Stud
20	298684	4	Nut
21	299403	4	Lockwasher

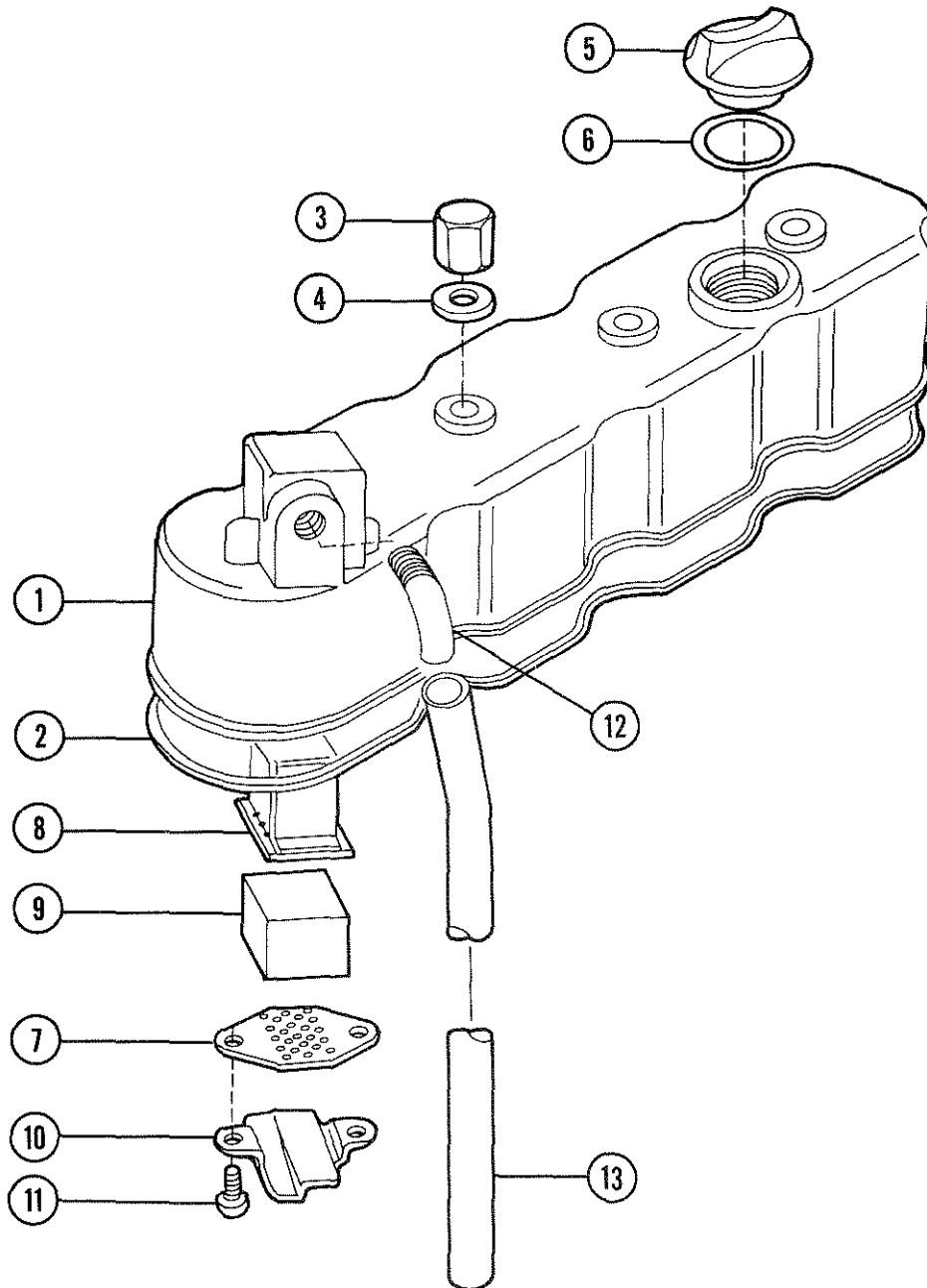
MAIN BEARING CASE GROUP



MAIN BEARING CASE GROUP

Item	Part No.	Unit	Description
1	299414	1	Main Bearing Case Assembly
2	302444	8	Bearing Case Bolt
3	299417	1	Bearing Case Gasket
4	302445	1	Cover Bearing Case Assembly
5	300815	1	Bearing Case Cover
6	302446	1	Oil Seal
7	299418	1	Bearing Case Cover Gasket
8	301230	9	Bolt
9	301601	8	Bolt
10	299420	1	Main Bearing Case Assembly
11	302447	3	Bearing Case Bolt
12	300146	1	Main Bearing Case Assembly
13	302448	1	Main Bearing Case Assembly

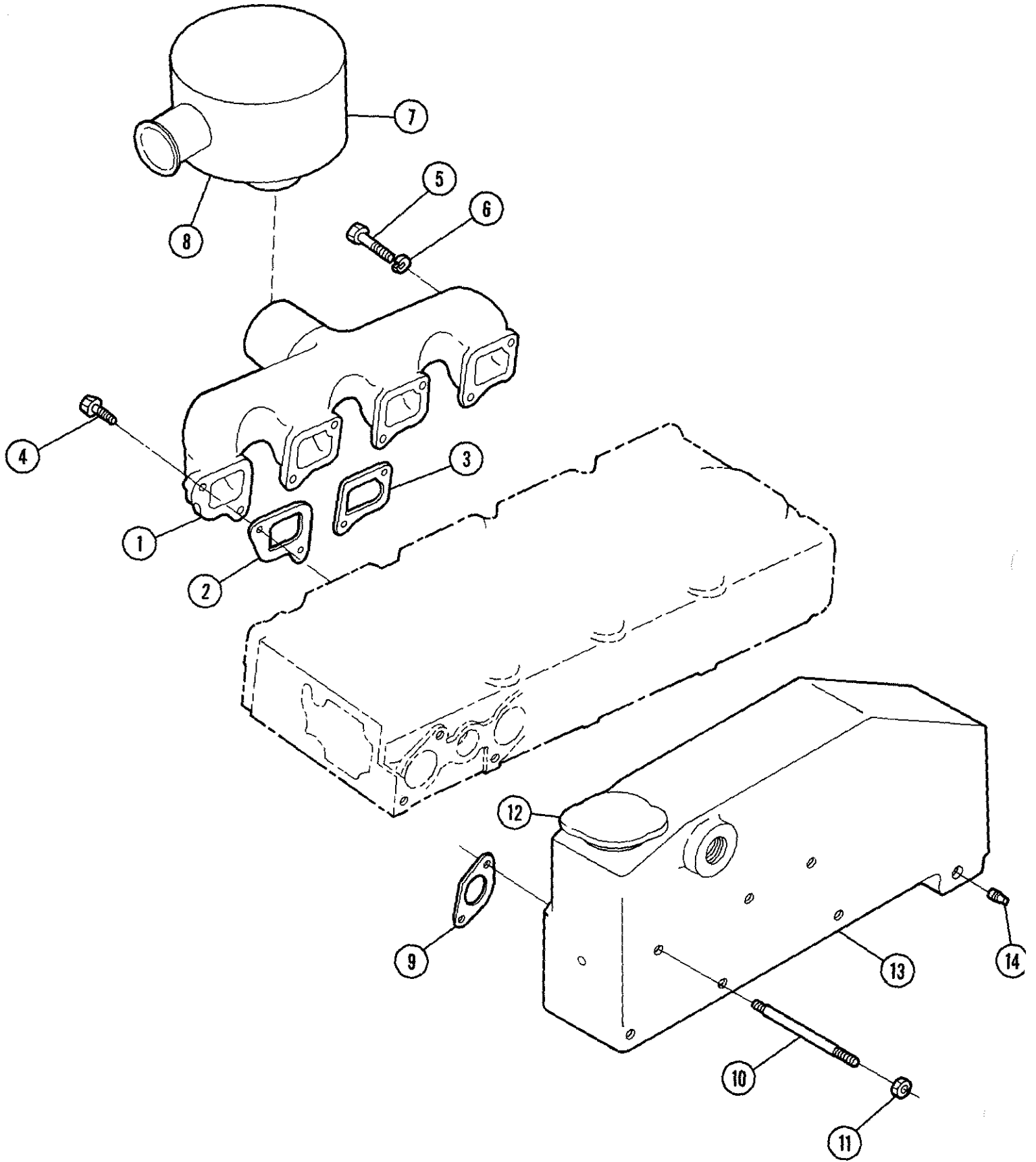
HEAD COVER GROUP



HEAD COVER GROUP

Item	Part No.	Unit	Description
1	302449	1	Rocker Arm Cover
2	302450	1	Cover Gasket
3	299457	4	Cap Nut
4	299459	4	Gasket
5	298739	1	Oil Filler Plug
6	298740	1	O-Ring
7	301391	1	Element Plate
8	301392	1	Element Plate
9	300148	1	Breather Element
10	301393	1	Oil Shield
11	301399	2	Washer and Screw
12	299854	1	Breather Pipe Joint
13	301396	1	Breather Pipe

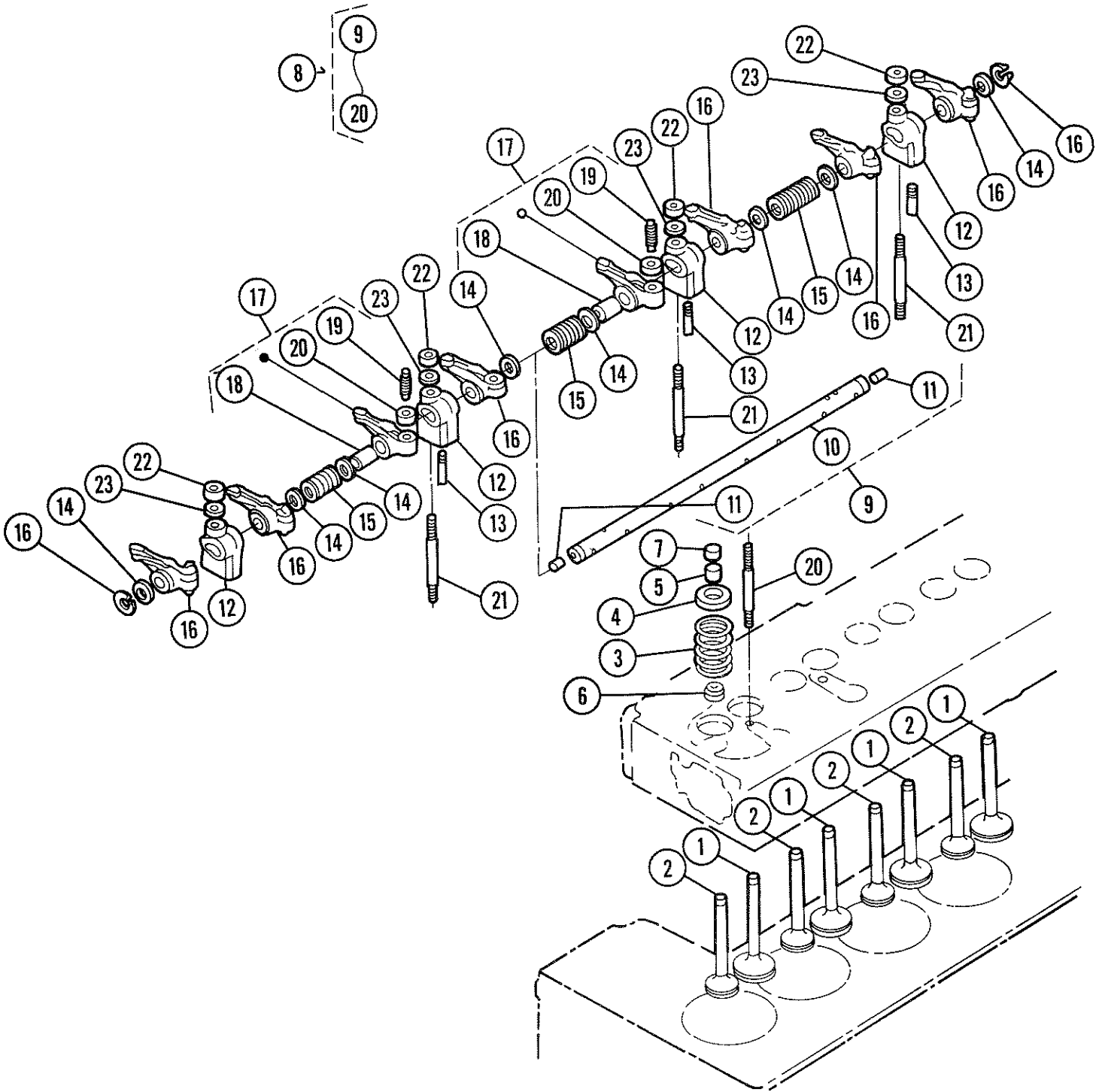
INLET MANIFOLD GROUP



INLET MANIFOLD GROUP

Item	Part No.	Unit	Description
1	302451	1	Intake Manifold
2	302452	1	Gasket - 1
3	299431	3	Gasket - 2
4	301230	5	Bolt
5	301244	3	Bolt
6	299369	3	Lockwasher
7	301138	1	Air Filter Assembly
8	301049	1	Filter Element
9	302506	1	Exhaust Manifold Gasket
10	300095	8	Manifold Stud
11	298684	8	Nut
12	299956	1	Filler Cap
13	302092	1	Exhaust Manifold
14	239136	1	Pipe Plug 1/8-27

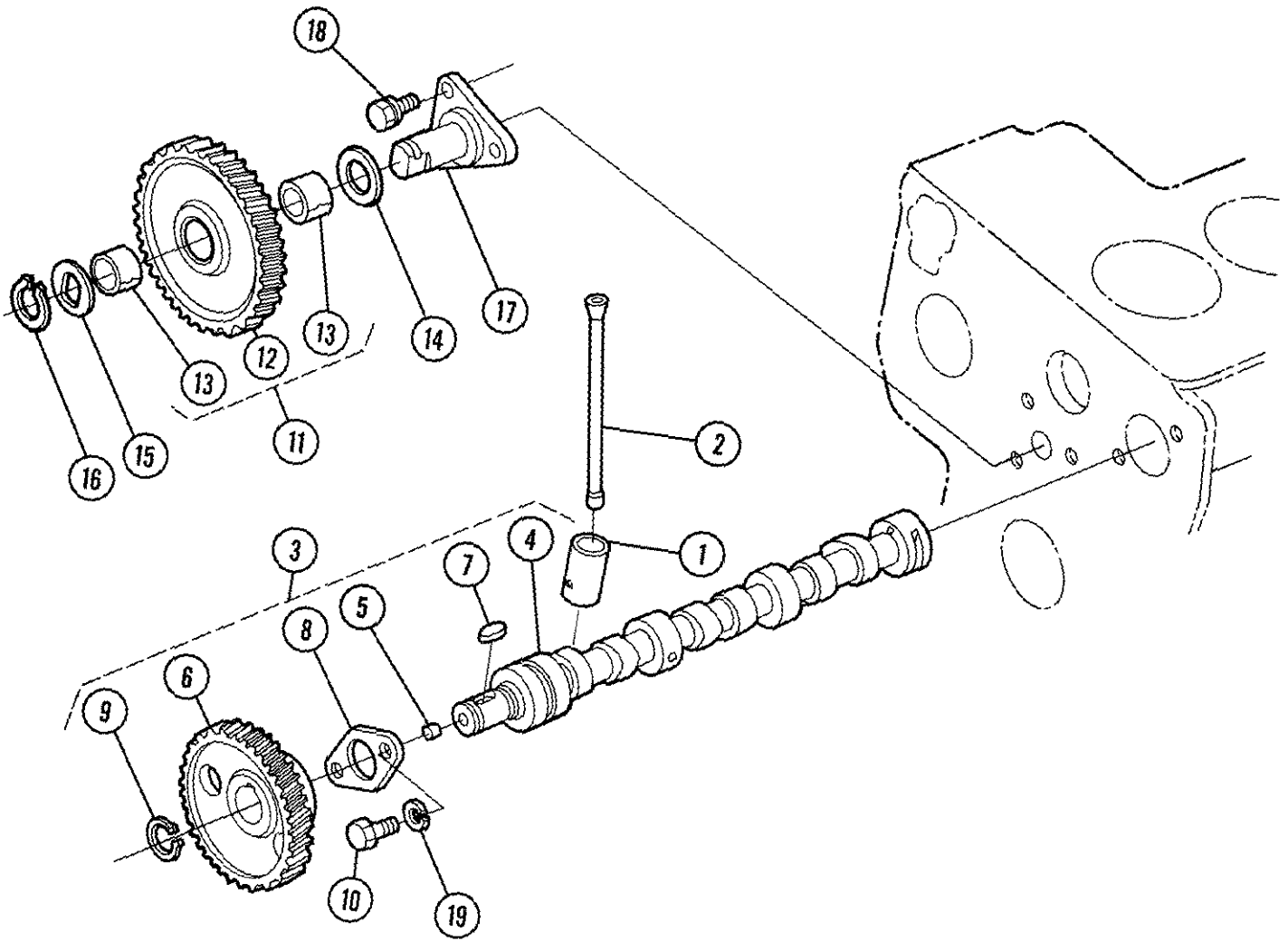
VALVE ROCKER ARM GROUP



VALVE ROCKER ARM GROUP

Item	Part No.	Unit	Description
1	300152	4	Intake Valve
2	300153	4	Exhaust Valve
3	299438	8	Valve Spring
4	302453	8	Valve Spring Retainer
5	299440	16	Valve Spring Collet
6	299441	8	Valve Stem Seal
7	299442	8	Valve Cap
8	302454	1	Rocker Arm Assembly Complete
9	302455	1	Rocker Arm Shaft Assembly
10	302456	1	Rocker Arm Shaft
11	300155	2	Set Screw
12	299444	4	Rocker Arm Bracket
13	299447	1	Set Screw
14	299448	8	Washer
15	299449	3	Rocker Arm Spring
16	299450	2	External Circle Clip
17	302457	8	Rocker Arm Assembly
18	300228	8	Rocker Arm Bushing
19	299453	8	Adjusting Screw
20	299454	8	Nut
21	299455	4	Stud
22	299446	4	Nut
23	300156	4	Plain Washer

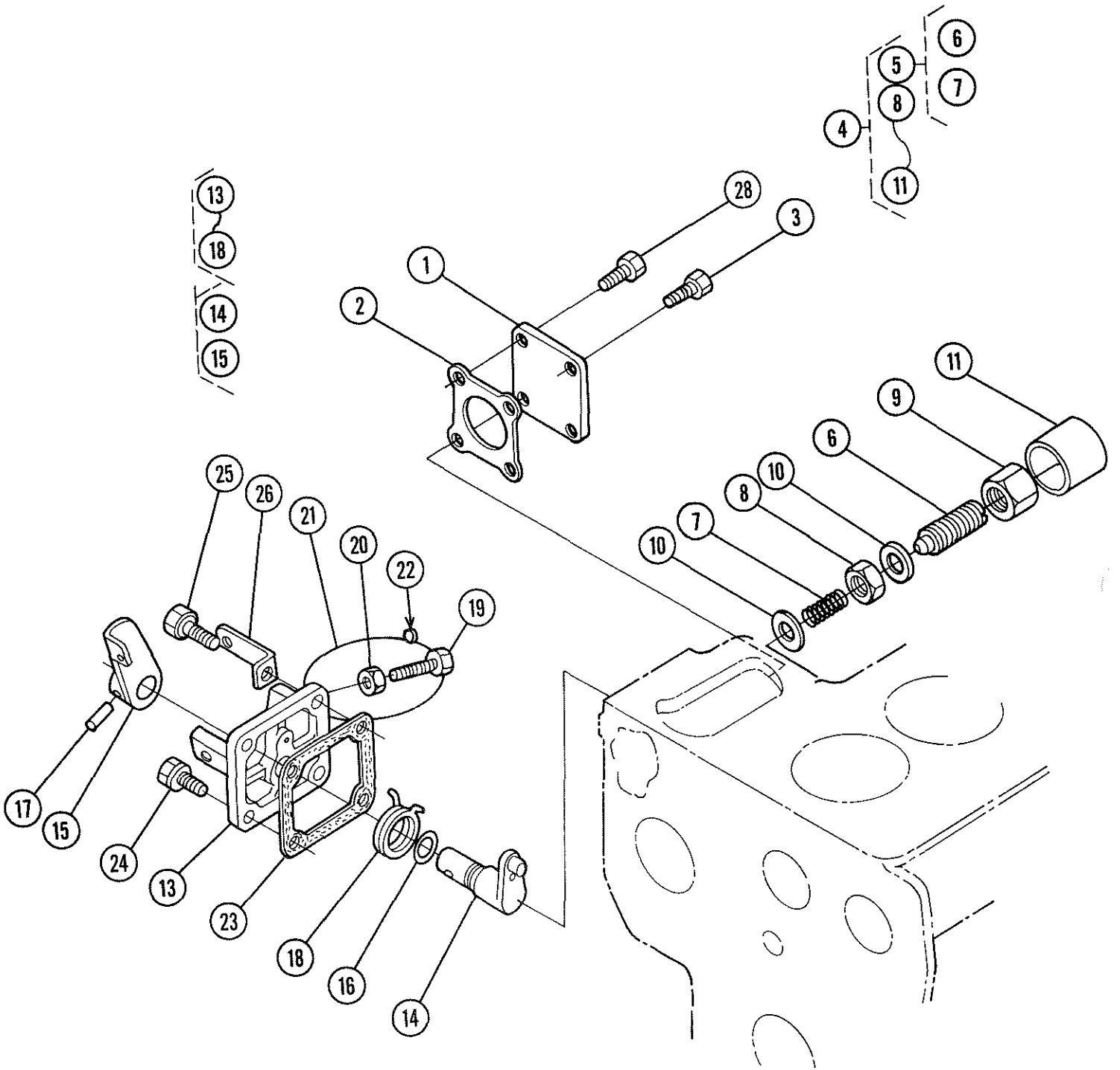
CAMSHAFT GROUP



CAMSHAFT GROUP

Item	Part No.	Unit	Description
1	299472	8	Tappet
2	299473	8	Push Rod
3	302458	1	Camshaft Assembly
4	302459	1	Camshaft
5	300162	2	Plug
6	299475	1	Camshaft Gear
7	299549	1	Key
8	299477	1	Camshaft Stopper
9	299535	1	External Circle Clip
10	299365	2	Bolt
11	302460	1	Idle Gear Assembly
12			Use No. 11
13	302461	2	Idle Gear Bushing
14	302462	1	Idle Gear Collar
15	302463	1	Idle Gear Collar
16	302464	1	Circle Clip
17			Use No. 11
18	299462	3	Bolt

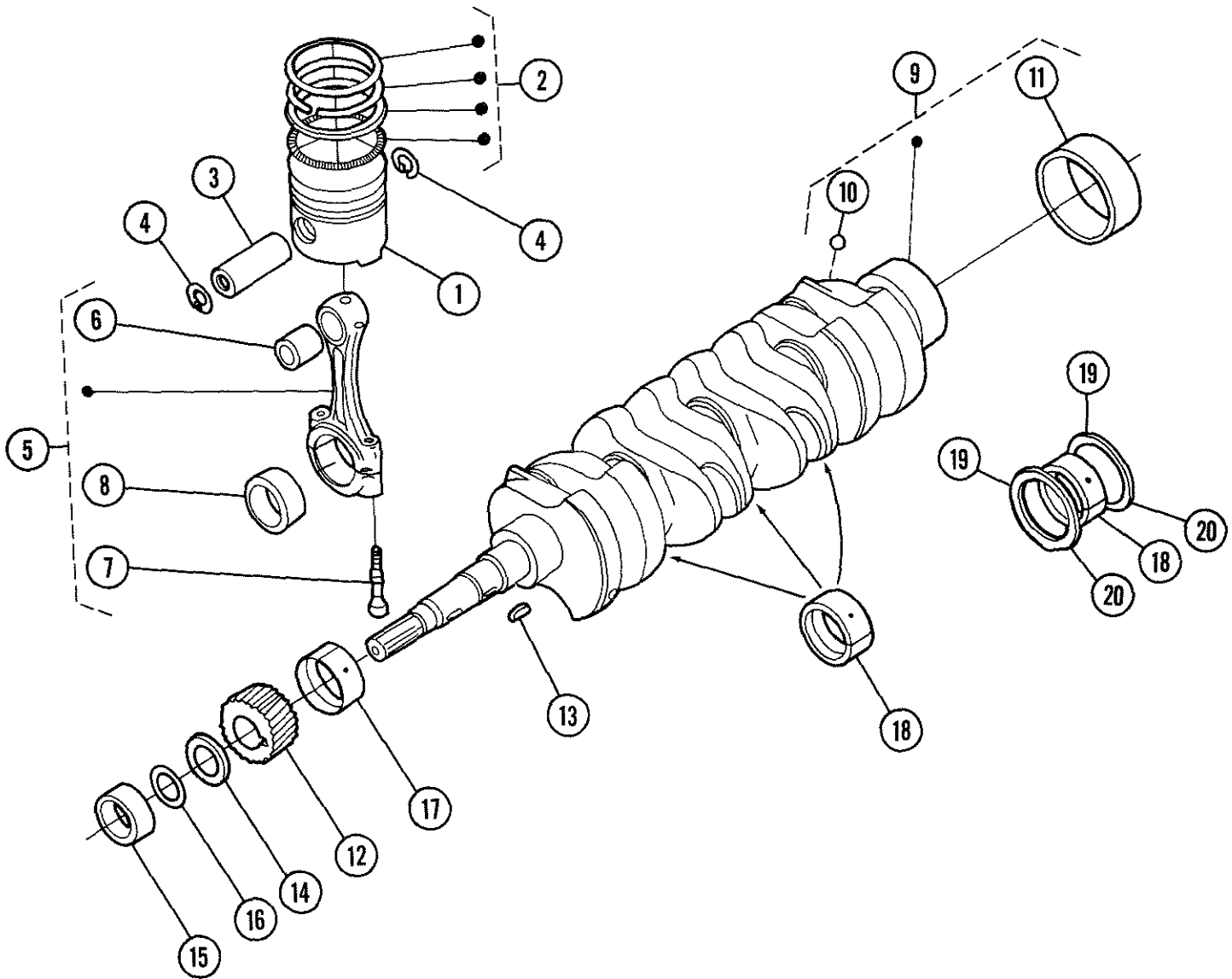
ENGINE STOP LEVER GROUP



ENGINE STOP LEVER GROUP

Item	Part No.	Unit	Description
1	299486	1	Cover
2	299484	1	Pump Gasket
3	299527	3	Bolt
4	300164	1	Idling Apparatus Assembly
5	301492	1	Adjusting Bolt Assembly
6			Order by Item No. 5 - Adjusting Bolt
7			Order by Item No. 5 - Spring
8	301493	1	Nut
9	301494	1	Cap Nut
10	301495	2	Gasket
11	301417	1	Cap
12	300229	1	Engine Stop Lever Assembly
13	300173	1	Injection Pump Cover
14			Order by Item No. 27 - Shaft Lever
15			Order by Item No. 27 - Engine Stop Lever
16	301496	1	O-Ring
17	301498	1	Spring Pin
18	301499	1	Spring
19	298826	1	Stopper
20	299041	1	Nut
21	Non Sale		Wire
22	Non Sale		Lead Sealing
23	300230	1	Breather Gasket
24	299462	3	Bolt
25	299432	1	Bolt
26	301398	1	Wire Holder
27	301500	1	Lever Shaft Assembly
28	300008	1	Bolt

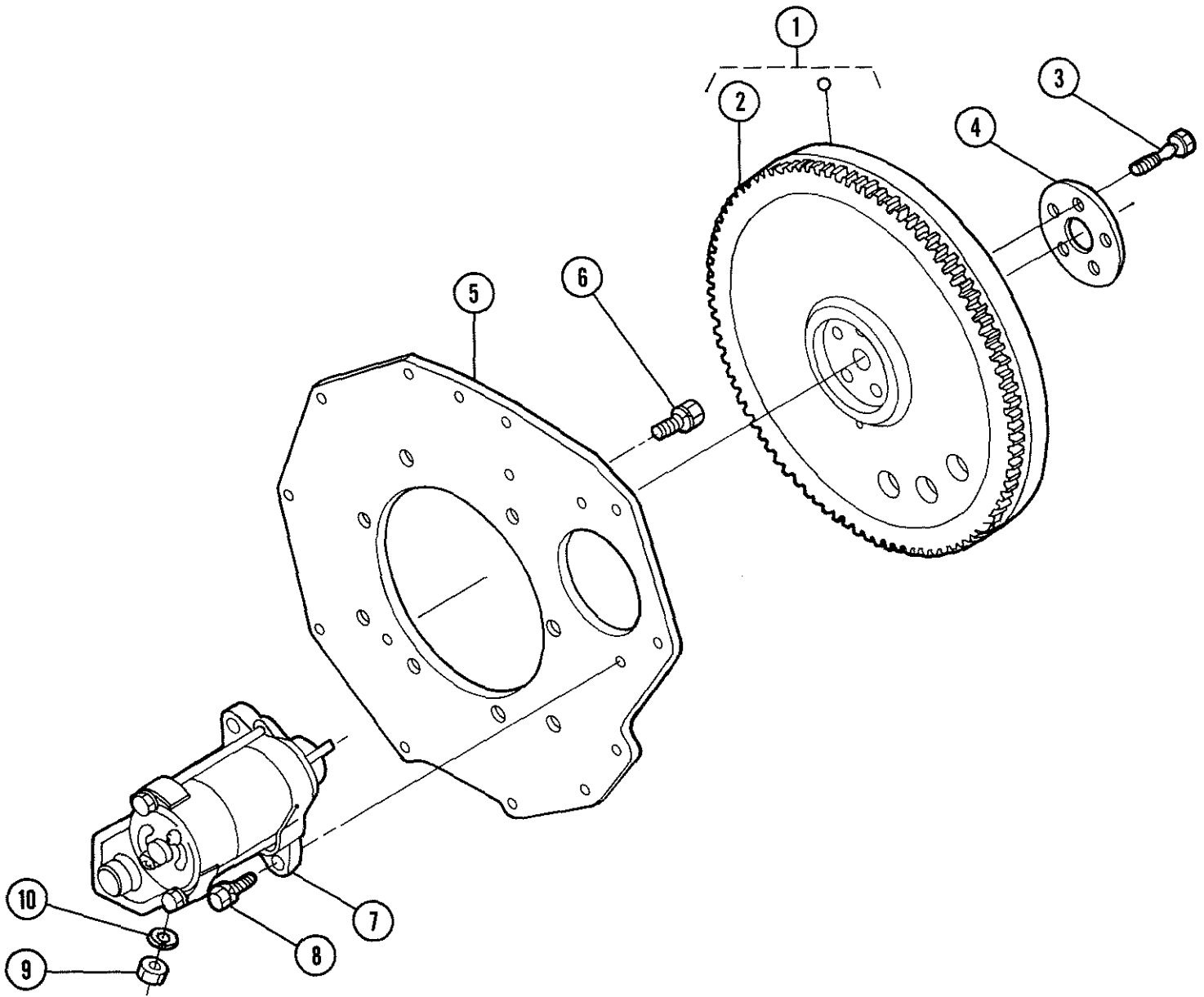
PISTON, CRANKSHAFT GROUP



PISTON, CRANKSHAFT GROUP

Item	Part No.	Unit	Description
1	302466	4	Piston
2	302467	4	Ring Assembly
3	299489	4	Piston Pin
4	299490	8	Circle Clip Piston Pin
5	299491	4	Connecting Rod Assembly
6	301154	4	Piston Pin Bushing
7	302468	8	Connecting Rod Bolt
8	299494	4	Connecting Rod Bearing
9	302469	1	Crankshaft Complete
10	302470	4	Ball
11	300813	1	Crankshaft Sleeve
12	300168	1	Crankshaft Gear
13	299549	1	Key
14	299497	1	Oil Slinger
15	299498	1	Crankshaft Collar
16	299499	1	O-Ring
17	299500	1	Crankshaft Bearing
18	299501	4	Crankshaft Bearing
19	299502	2	Bearing Side
20	299503	2	Bearing Side

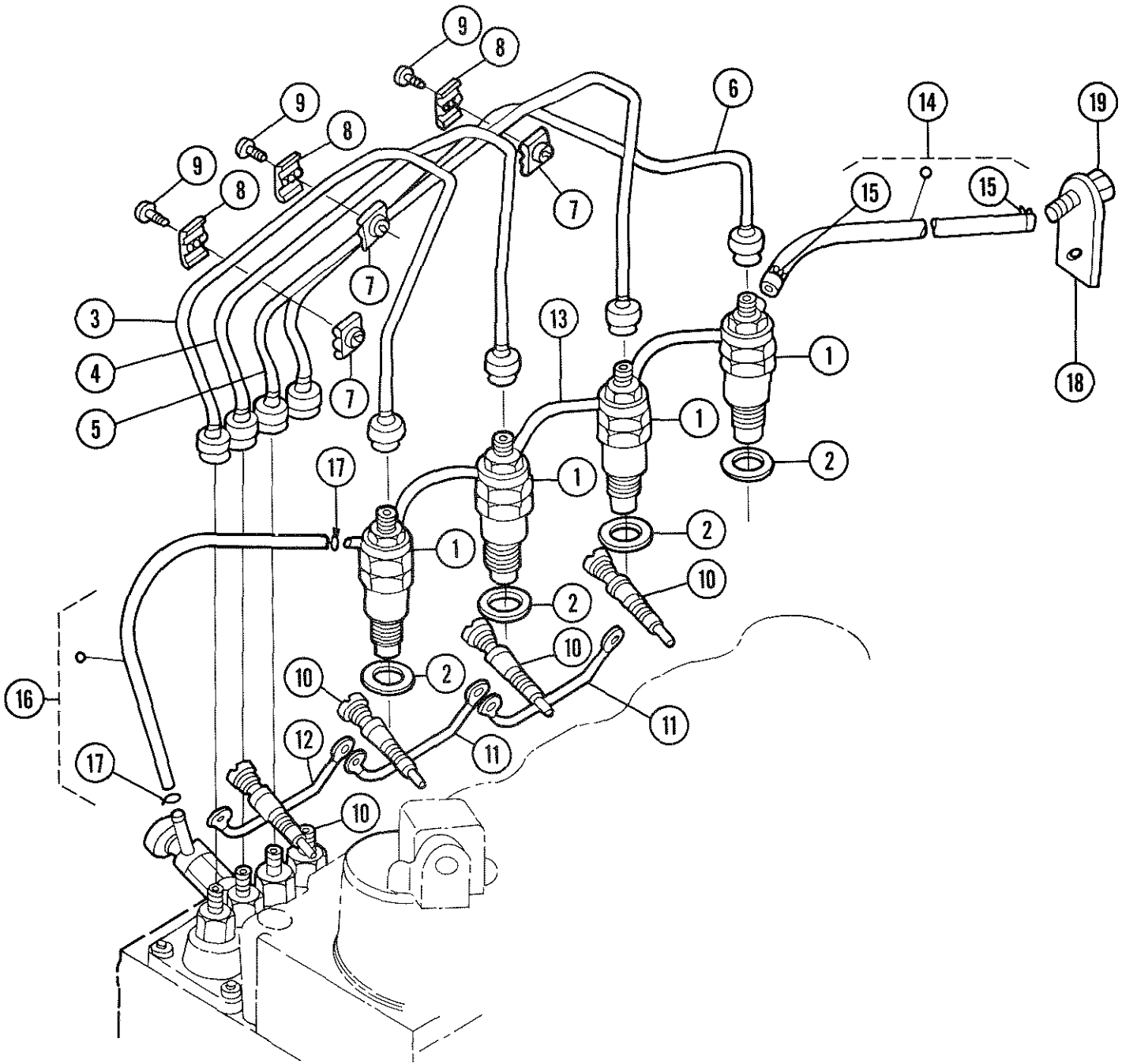
FLYWHEEL GROUP



FLYWHEEL GROUP

Item	Part No.	Unit	Description
1	302471	1	Flywheel Assembly
2	302472	1	Ring Gear
3	302473	5	Flywheel Bolt
4	301570	1	Washer
5	299508	1	End Plate
6	300182	8	Bolt
7	302474	1	Starter Assembly
8	301785	2	Bolt
9	300208	1	Nut
10	299583	1	Lockwasher

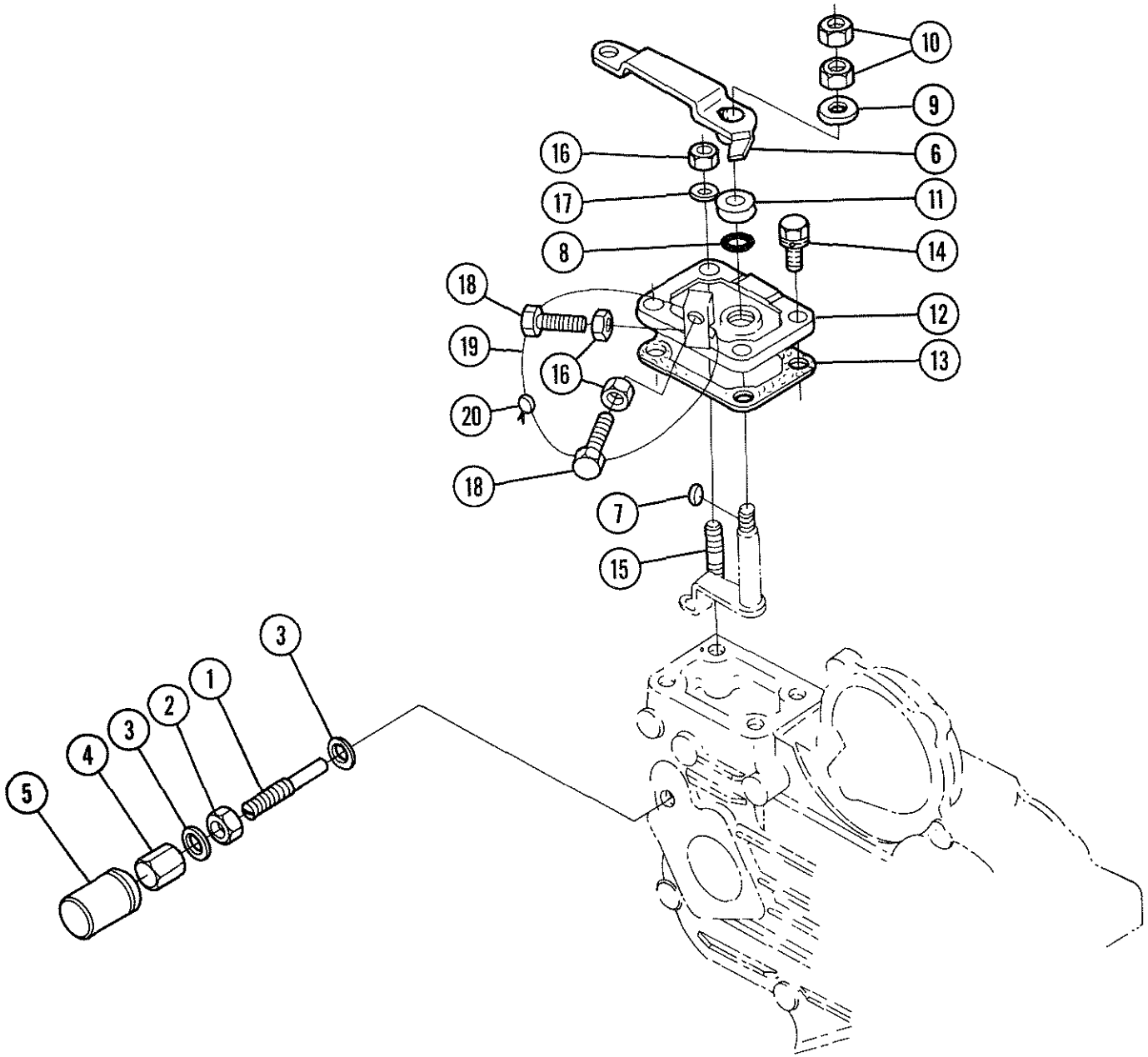
NOZZLE HOLDER



NOZZLE HOLDER GROUP

Item	Part No.	Unit	Description
1	302475	4	Injector
2	298789	4	Gasket
3	302476	1	Injection Pipe
4	302477	1	Injection Pipe
5	302478	1	Injection Pipe
6	302479	1	Injection Pipe
7	301306	3	Pipe Clamp
8	301307	3	Pipe Clamp
9	298794	3	Screw & Washer
10	301754	4	Glow Plug
11	299523	2	Glow Plug Wire
12	302480	1	Glow Plug Wire
13	302481	1	Glow Plug Wire
14	302482	1	Over Flow Hose
15	302269	2	Clamp
16	302483	1	Hose
17	302484	2	Clamp
18	299828	1	Mounting Bracket
19	299829	1	Fuel Return Connector
20	256747	1	Fuel Return Kit-No. 18-19

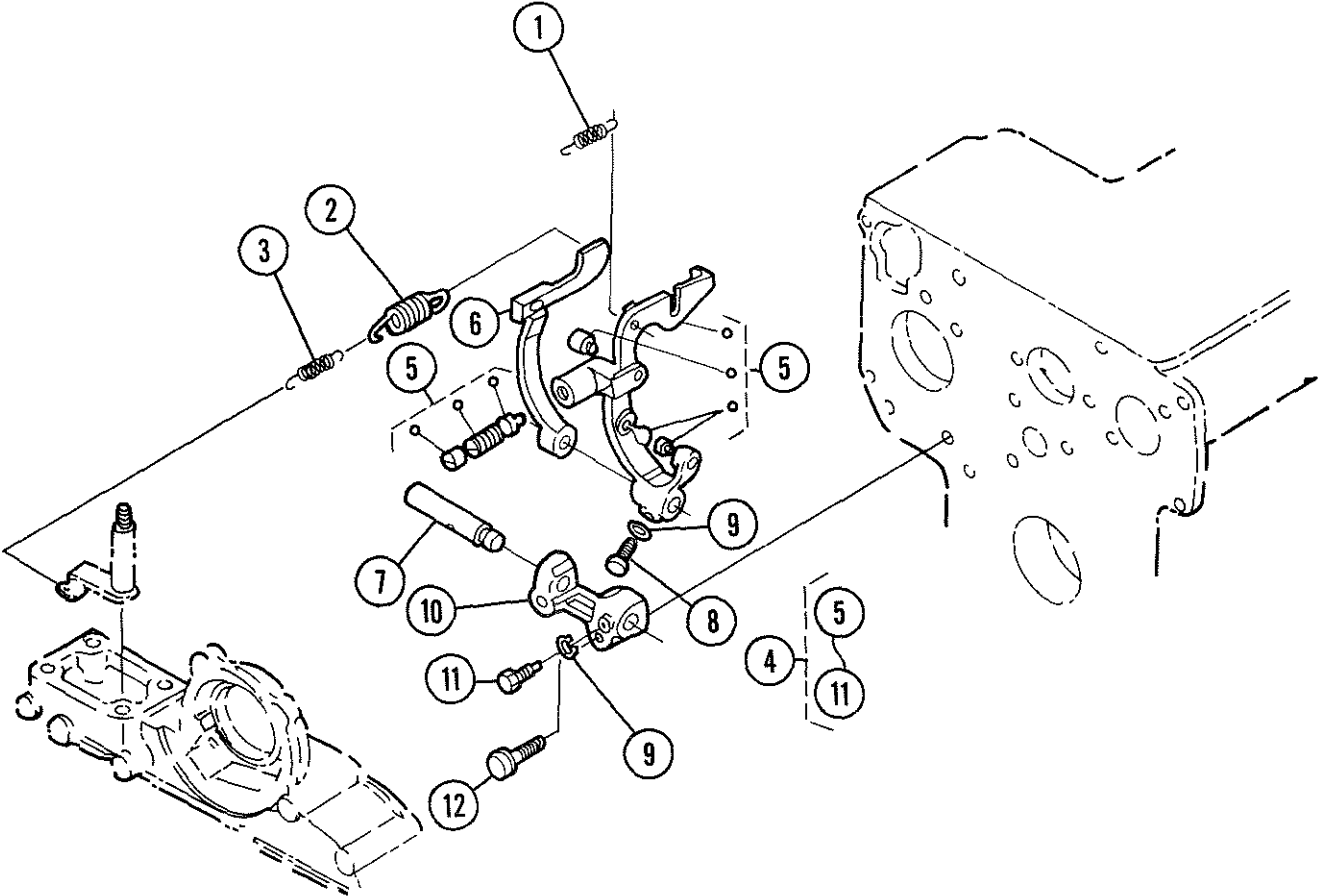
SPEED CONTROL PLATE GROUP



SPEED CONTROL PLATE GROUP

Item	Part No.	Unit	Description
1	301501	1	Adjusting Bolt
2	301502	1	Nut
3	301503	2	Gasket
4	301504	1	Cap Nut
5	301505	1	Cap
6	300178	1	Speed Control Lever
7	299540	1	Feather Key
8	299541	1	O-Ring
9	299542	1	Plain Washer
10	299543	2	Nut
11	299544	1	Friction Plate
12	300179	1	Speed Control Plate
13	299545	1	Control Plate Gasket
14	299432	3	Bolt
15	300096	1	Stud
16	298684	3	Nut
17	299369	1	Spring Washer
18	298826	2	Stopper
19	Non Sale		Wire
20	Non Sale		Lead Sealing

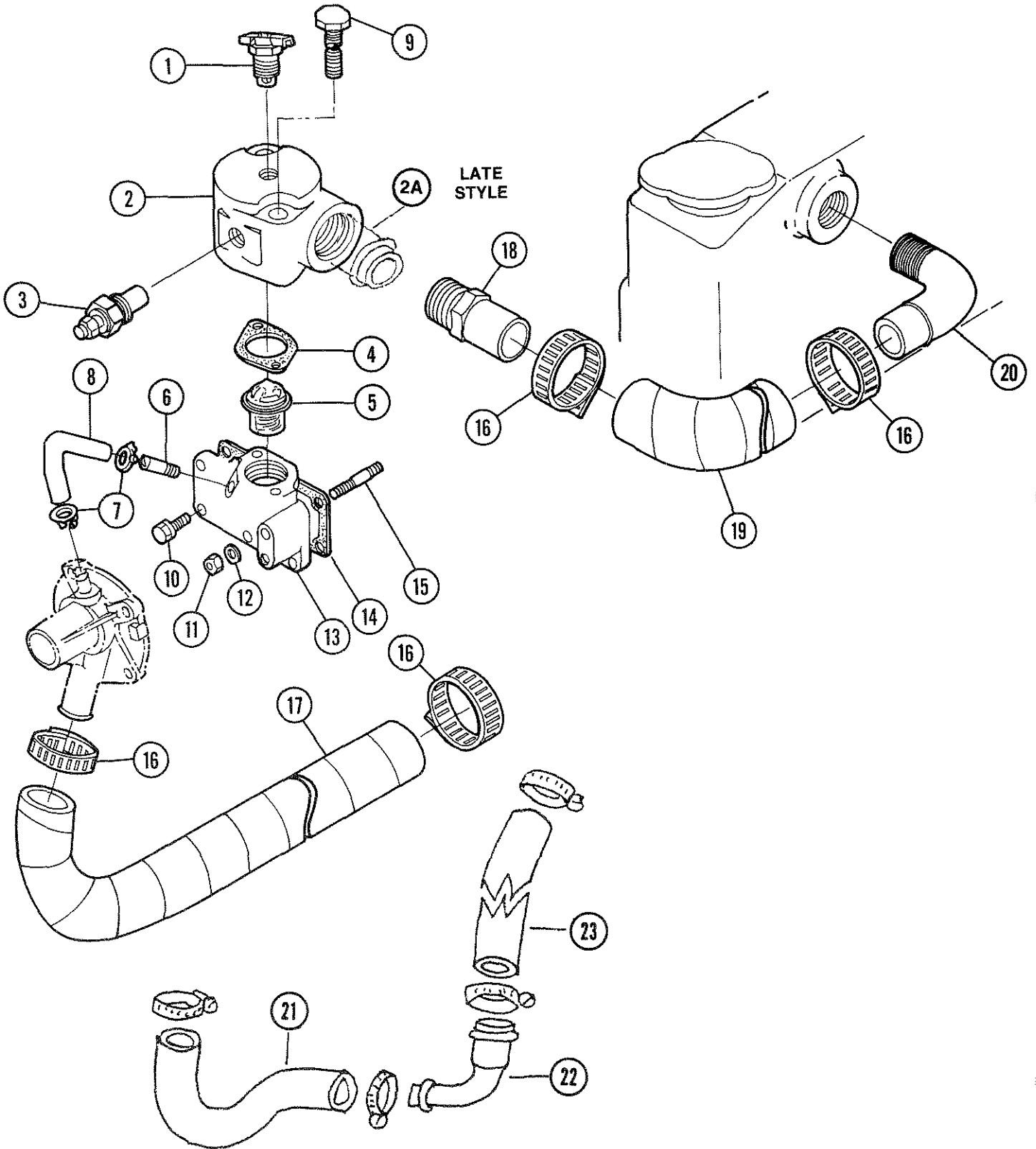
GOVERNOR GROUP



GOVERNOR GROUP

Item	Part No.	Unit	Description
1	298828	1	Start Spring
2	302488	1	Govenor Spring 1
3	302489	1	Govenor Spring 2
4	302490	1	Fork Lever Assembly
5	302491	1	Fork Lever Complete
6	300184	1	Fork Lever
7	300185	1	Fork Lever Shaft
8	300186	1	Bolt
9	300187	2	Lockwasher
10	300188	1	Fork Lever Holder
11	300189	1	Bolt
12	301601	2	Bolt

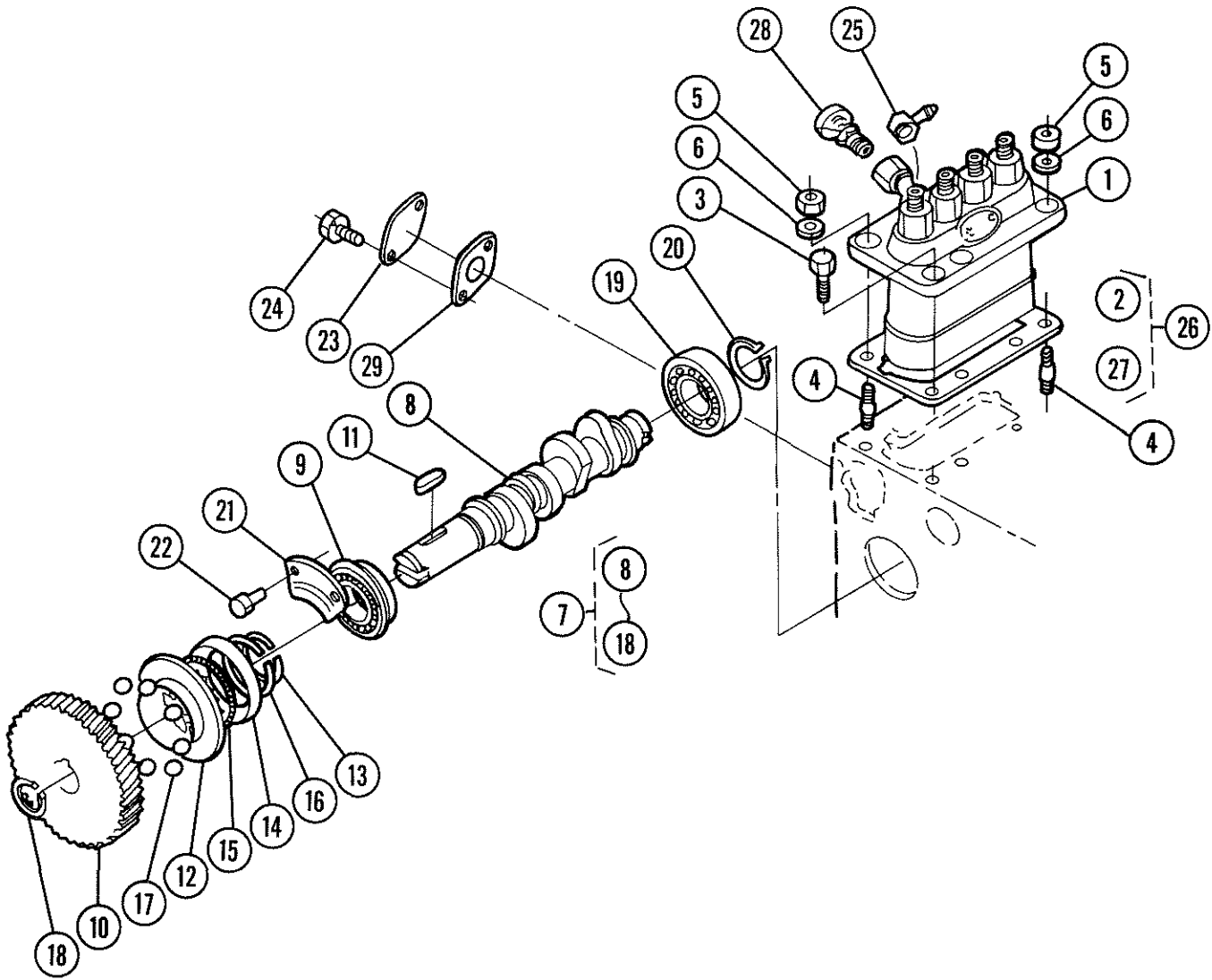
WATER FLANGE GROUP



WATER FLANGE GROUP

Item	Part No.	Unit	Description
1	239138	1	Petcock
2	300099	1	Thermostat Housing
3	299066	1	Temp Sender
4	300237	1	Gasket
5	301358	1	Thermostat
6	302493	1	Water Pipe
7	301397	2	Clamp
8	300236	1	Hose
9	301590	2	Bolt
10	301256	5	Bolt
11	298684	1	Nut
12	299369	1	Lockwasher
13	302492	1	Water Flange
14	300234	1	Gasket
15	301506	1	Stud
16	298648	4	Clamp #12
17		1	Hose
18	286075	1	Hose Adaptor
19	301428	1	Hose 7/8" ID x 7 1/2 L
20	298644	1	90° Elbow
21	302251	1	Hose 1" x 90° Molded
22	302150	1	90° Copper Elbow
23	299826	1	Hose 7/8" ID x 22 1/2

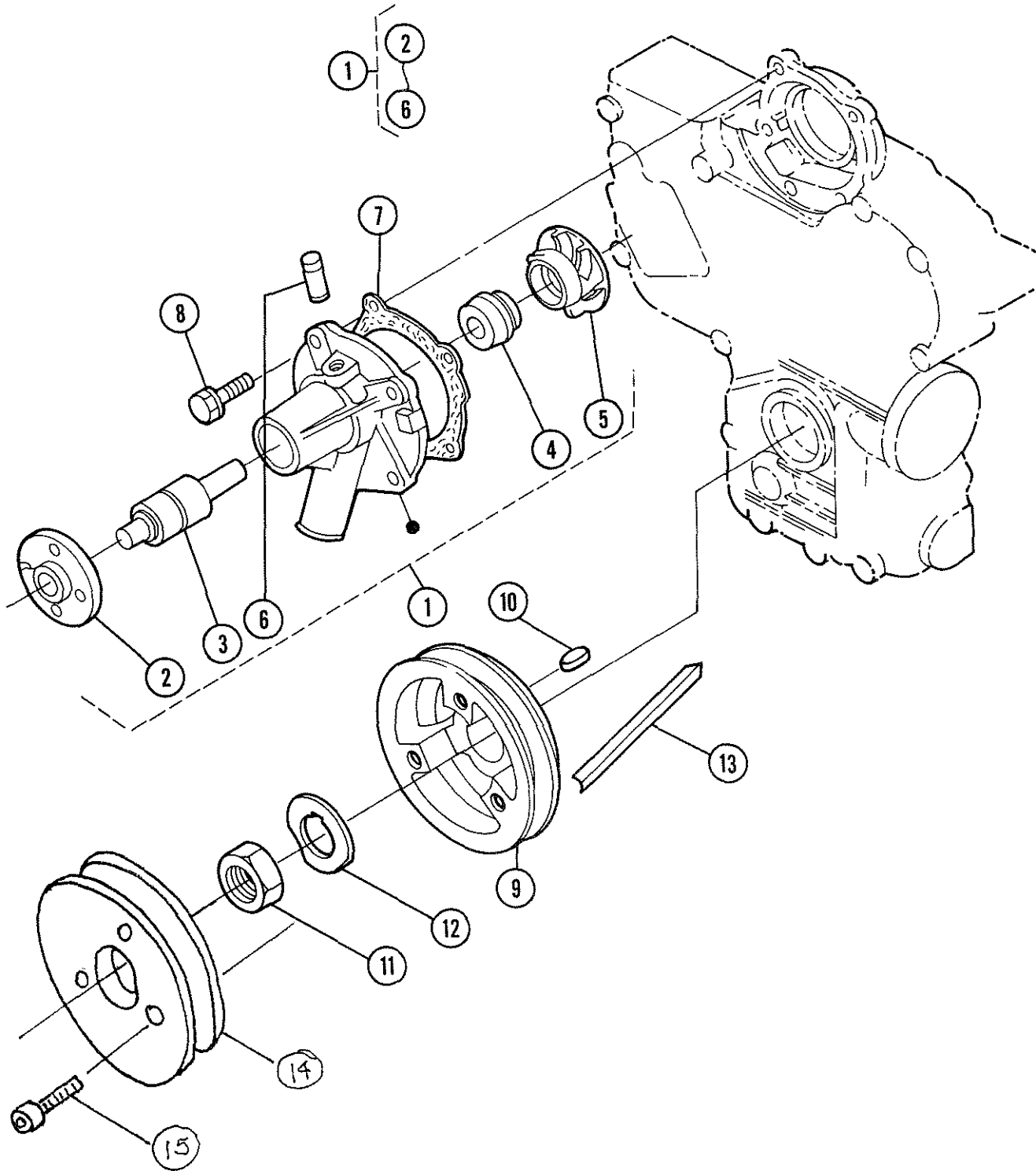
FUEL CAMSHAFT GROUP



FUEL CAMSHAFT GROUP

Item	Part No.	Unit	Description
1	302494	1	Injection Pump
2	299580	1	Shim
3	301785	4	Bolt
4	302495	2	Stud
5	301297	2	Nut
6	299583	2	Lockwasher
7	302496	1	Fuel Camshaft Assembly
8	302497	1	Fuel Camshaft
9	300195	1	Ball Bearing
10	302498	1	Pump Gear
11	299531	1	Key
12	300197	1	Governor Sleeve
13	300198	1	Circle Clip
14	302499	1	Governor Case Ball
15	299533	30	Ball
16	300199	1	Circle Clip
17	299534	8	Ball
18	299535	1	Circle Clip
19	299536	1	Ball Bearing
20	299537	1	Circle Clip
21	300200	1	Camshaft Stopper
22	301330	2	Bolt
23	302500	1	Cover
24	301256	2	Bolt
25	301747	1	Eye Joint
26	302501	1	Injection Pump Shim
27	302502	2	Shim .030
28	300050	1	Bleed Cock Assembly
29	299426	1	Fuel Pump Gasket

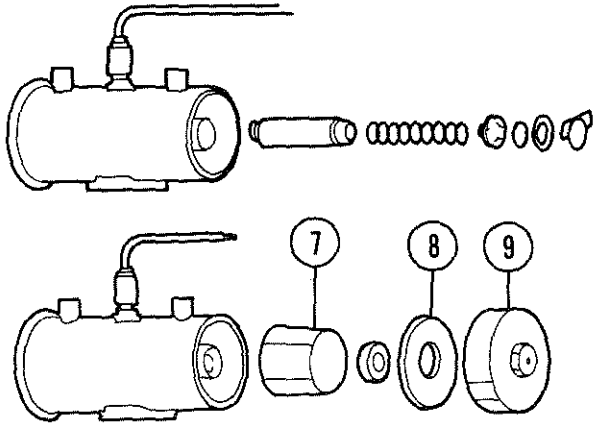
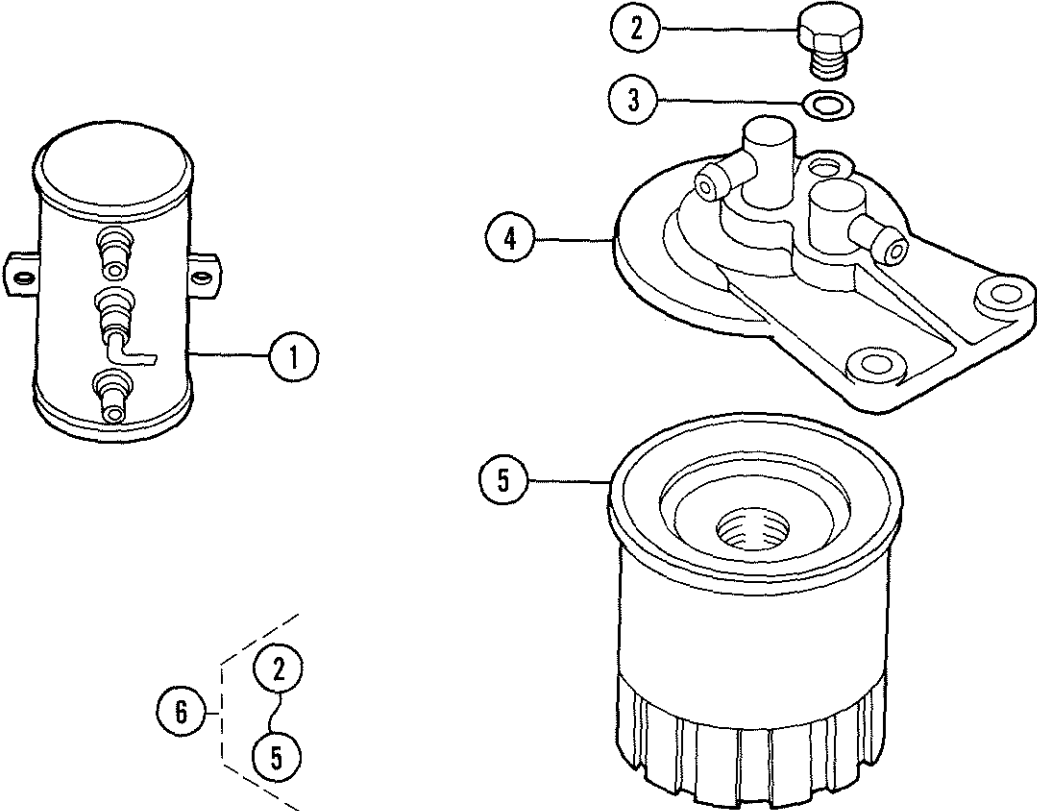
WATER PUMP GROUP



WATER PUMP GROUP

Item	Part No.	Unit	Description
1	302503	1	Water Pump Assembly
2	301518	1	Water Pump Flange
3	301158	1	Bearing
4	301159	1	Seal Assembly
5	301160	1	Impeller
6	301519	1	Return Pipe
7	300204	1	Gasket
8	301230	4	Bolt
9	302504	1	Drive Pulley
10	299549	1	Key
11	299550	1	Nut
12	302505	1	Washer
13	300817	1	V-Belt
14	302159	1	M-35 PTO - Pulley Kit
15	302046	3	8 mm x 30 mm Soc. Hd. Cap. (Mt. 302159)

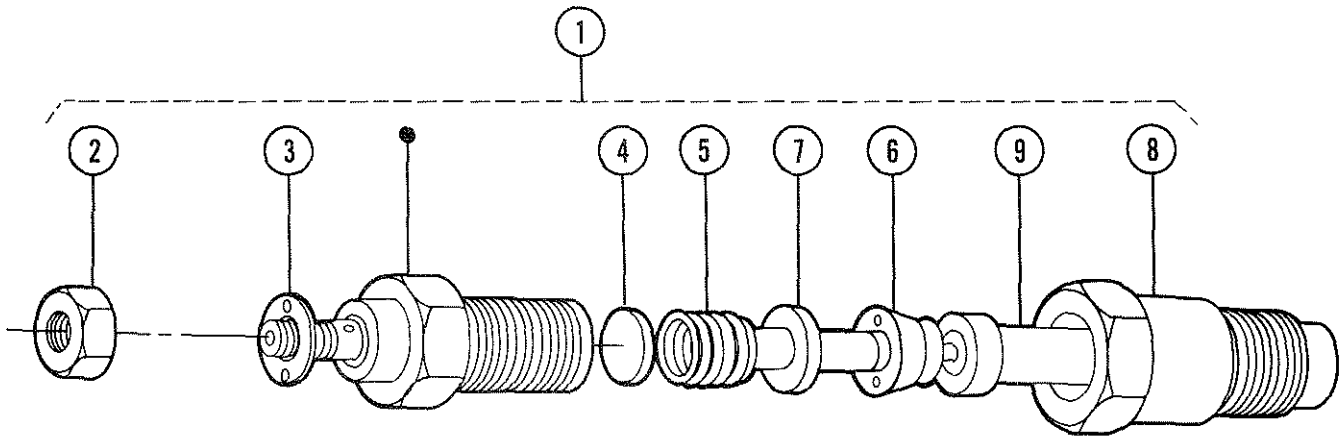
FUEL FILTER GROUP



FUEL FILTER GROUP

Item	Part No.	Unit	Description
1	301385	1	Electric Fuel Pump
2	299855	1	Bleeder Bolt
3	299856	1	O-Ring
4	301602	1	Filter Cover
5	298854	1	Fuel Filter
6	298853	1	Fuel Filter Assembly
7	300128	1	Fuel Pump Filter & Gskt.
8	299639	1	Cover Gasket
9	299803	1	Cover
10	302244	1	Fuel Filter Brkt

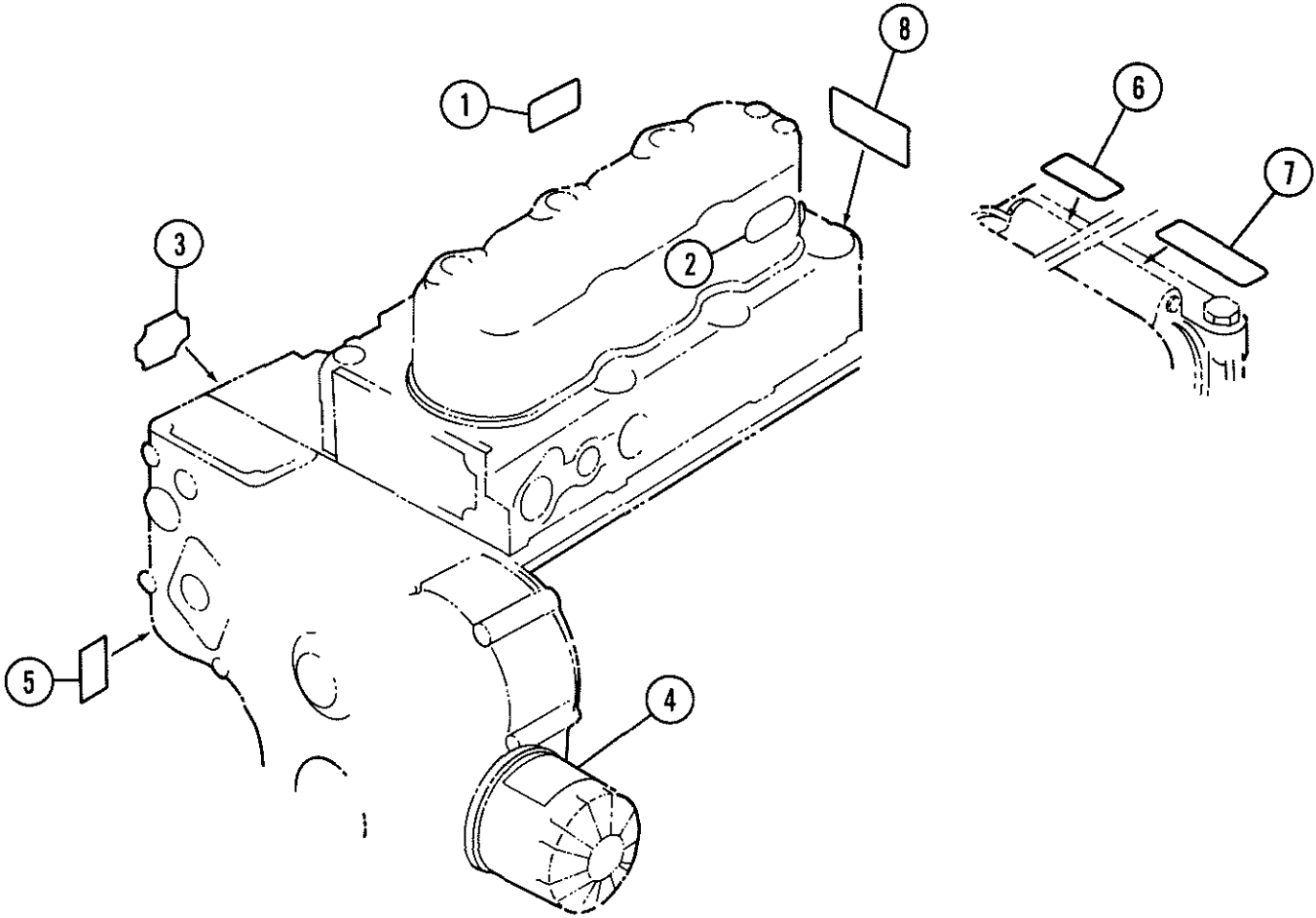
NOZZLE HOLDER



NOZZLE HOLDER

Item	Part No.	Unit	Description
1	302475	4	Injector
2	301508	4	Nut
3	301137	4	Washer
4	301509	4	Adjusting Washer
5	301510	4	Nozzle Spring
6	301511	4	Distance Piece
7	301512	4	Push Rod
8	301513	4	Nozzle Nut
9	301514	4	Nozzle Piece

NAME PLATE GROUP



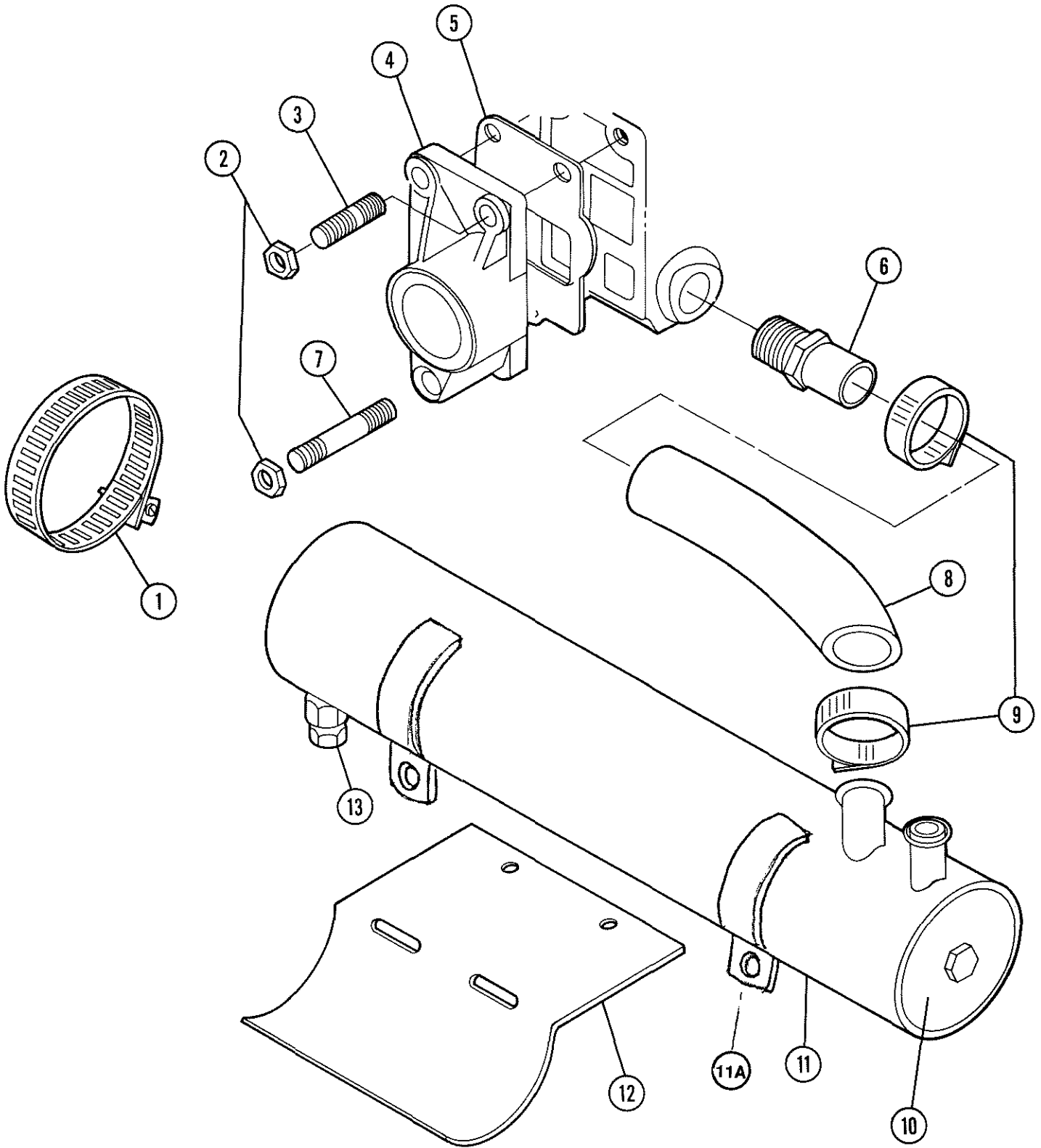
NAME PLATE GROUP

Item	Part No.	Unit	Description
1	298851	1	Glow Plug Label
2	299609	1	Oil Label
3	298850	1	Instruction Label
4	298849	1	Instruction Label
5	298847	1	Drainage Label
6	298627	1	Hurth Rev. Gear Date Plate
7	299158	1	Hurth Rev. Gear Cube Date Plate
8	300268	1	Engine Serial and Model Plate

ALTERNATOR GROUP

Item	Part No.	Unit	Description
1	010377	1	Hex Head Cap Screw
2	015250	1	Hex Head Cap Screw
3	015251	1	Hex Head Cap Screw
4	015386	1	Washer
5	015395	2	Lockwasher
6	015396	1	Lockwasher
7	015419	1	Nut
8	298643	3	Hose Clamp
9	299033	1	Lockwasher
10	300095	4	Stud
11	302150	1	Elbow
12	302086	1	Hose
13	302087	1	Alternator Mount
14	302088	1	Adjusting Arm
15	302089	1	Hex Head Cap Screw
16	300817	1	V-Belt
17	302280	1	12V 51 Amp Alt.
17A	300746	1	12V 72 Amp Alt.

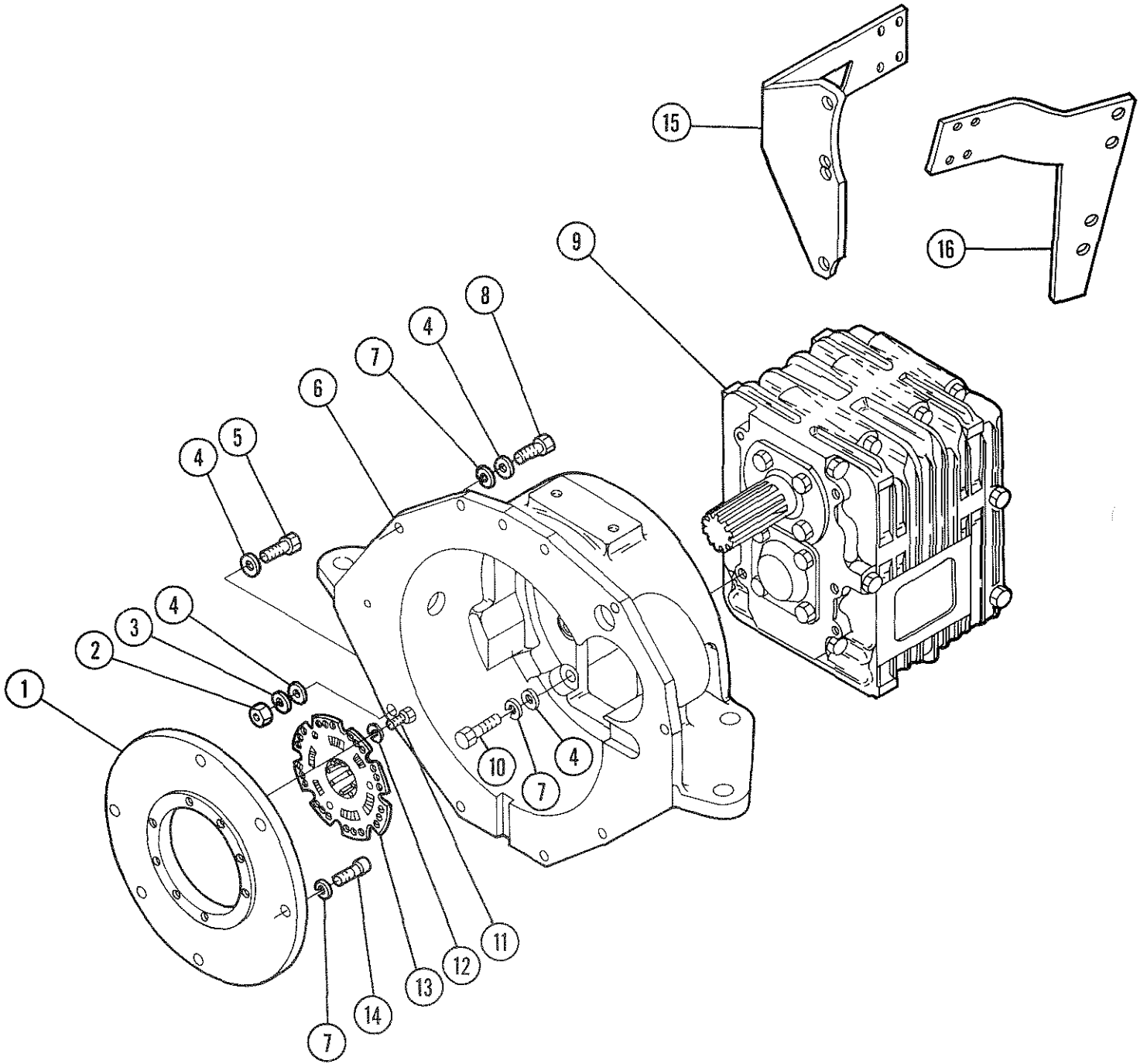
HEAT EXCHANGER GROUP-NEW STYLE



HEAT EXCHANGER GROUP

Item	Part No.	Unit	Description
1	298837	2	Clamp
2	230147	3	Nut
3	276440	2	Stud
4	298599	1	Exhaust Flange
5	298600	1	Flange Gasket
6	286075	1	Hose Connector
7	298974	1	Stud
8	300816	1	Hose 7/8 x 9 1/2 Early Unit
9	298648	2	Clamp
10	301457	1	End Cap and Gasket
11	302253	1	Heat Exchanger 3" x
11A	302631	1	3" x 13" w/Mtg. Brkts. (Late Style)
12	301142	1	Heat Exchanger Bracket
13	301068	1	Zinc 3/8 NPT x 1 1/2 x 1/2 D.

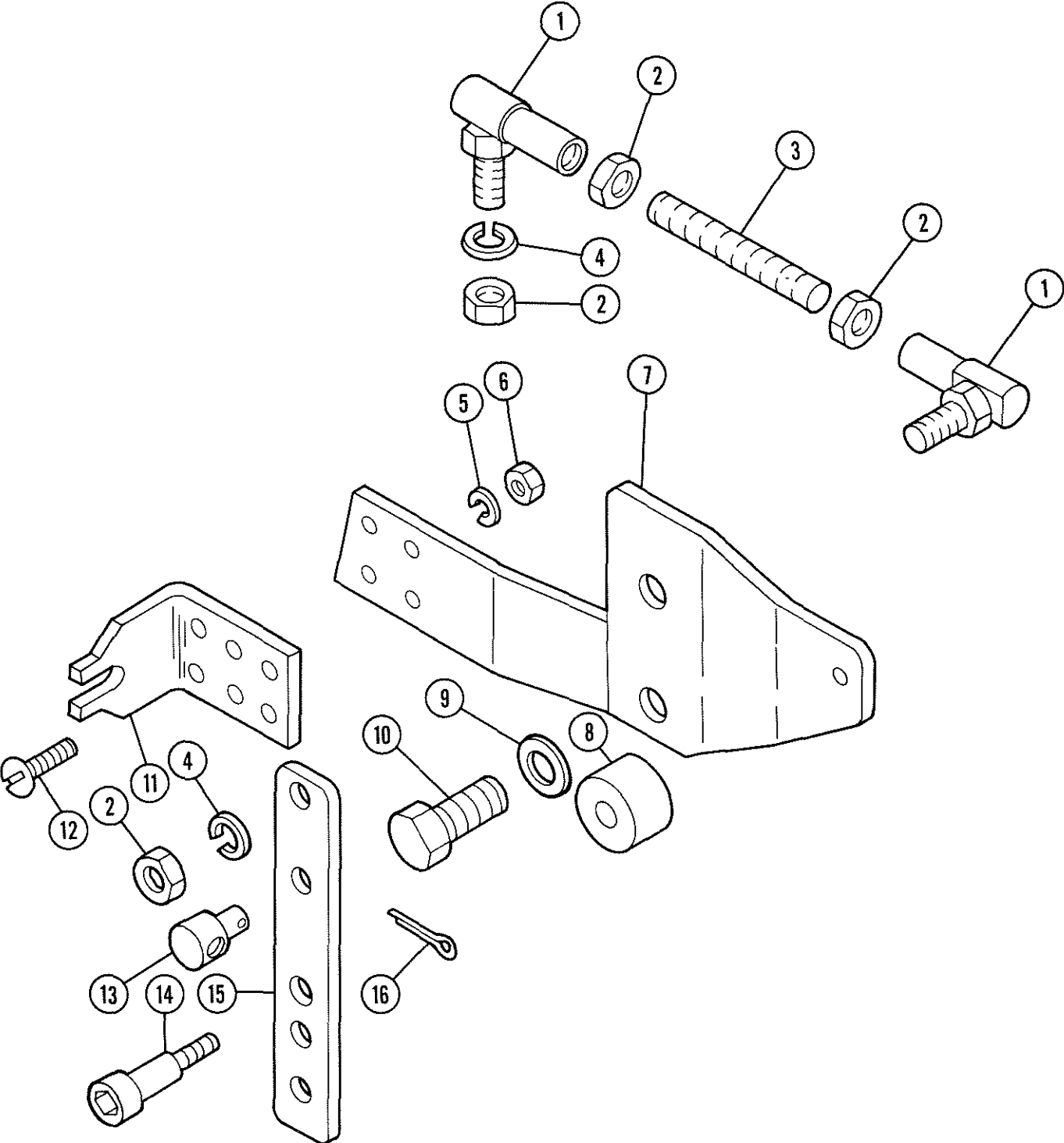
BELL HOUSING GROUP



BELL HOUSING GROUP

Item	Part No.	Unit	Description
1	302245	1	Mounting Plate
2	230141	1	Nut
3	231891	1	Lockwasher
4	231875	14	Lockwasher
5	231061	1	Hex Head Cap Screw
6	300945	1	Bell Housing Early - No Radius
6A	302414	1	Bell Hsg. 3" Radius - Direct Mt. N.E. (See M-25XP)
7	298461	6	Lockwasher
8	298539	6	Hex Head Cap Screw
9	300116	1	HBW-100 Transmission
	299942	1	V-Drive Transmission
10	298468	6	Hex Head Cap Screw
11	298458	8	Hex Head Cap Screw
12	298459	8	Lockwasher
13	298454	1	Gear Damper
14	298460	6	Socket Head Screw
15	300427	1	Shift Bracket
16	300244	1	Vertical Shift Bracket

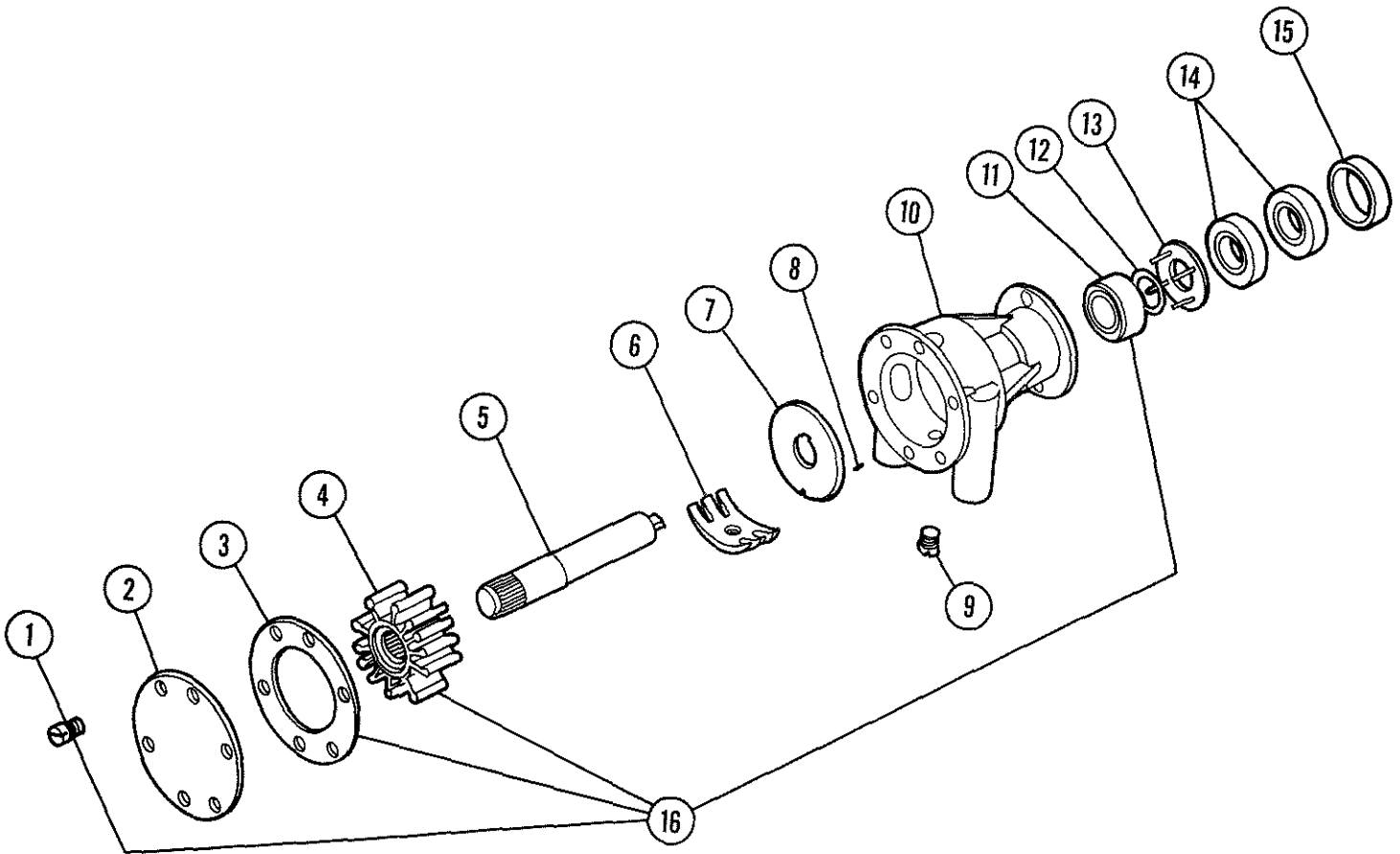
THROTTLE BRACKET GROUP



THROTTLE BRACKET GROUP

Item	Part No.	Unit	Description
1	299767	2	Ball Joint
2	230184	4	Jam Nut
3	299792	1	Adjusting Rod
4	231907	2	Lockwasher
5	231890	2	Lockwasher
6	294581	3	Nut
7	300958	1	Throttle Bracket
8	300090	1	Lever Spacer
9	231906	2	Lockwasher
10	299290	2	Hex Head Cap Screw
11	298630	1	Cable Clip
12	231211	2	Round Head Machine Screw
13	299019	1	Throttle Cable Pivot
14	231452	1	Socket Head Shoulder Bolt
15	300826	1	Throttle Lever
16	230281	1	Cotter Pin

JOHNSON WATER PUMP

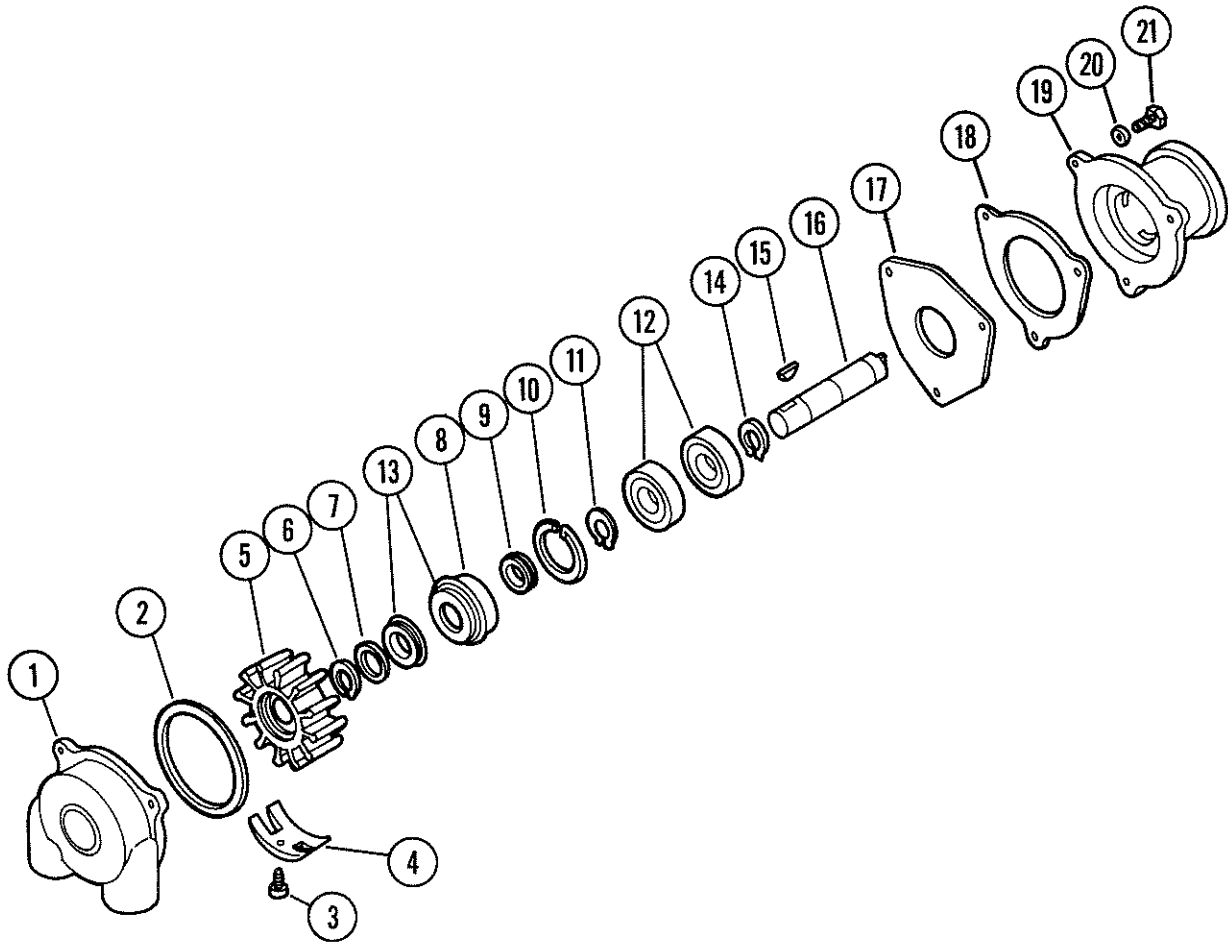


WATER PUMP 302259 JOHNSON

Item	Part No.	Unit	Description
1	302568	6	Cover Screws
2	302569	1	Pump Cover
3	302570	1	Cover Gasket
4	302571	1	Impeller
5	302572	1	Pump Shaft
6	302573	1	Cam
7	302574	1	Wear Plate
8	302575	1	Pin
9	302576	1	Cam Locking Screw
10	302577	1	Pump Body
11	302578	1	Lip Seal
12	302579	1	O-Ring
13	302580	1	Washer
14	302581	2	Ball Bearing
15	302582	1	Buide Ring
16	302314	1	Service Kit

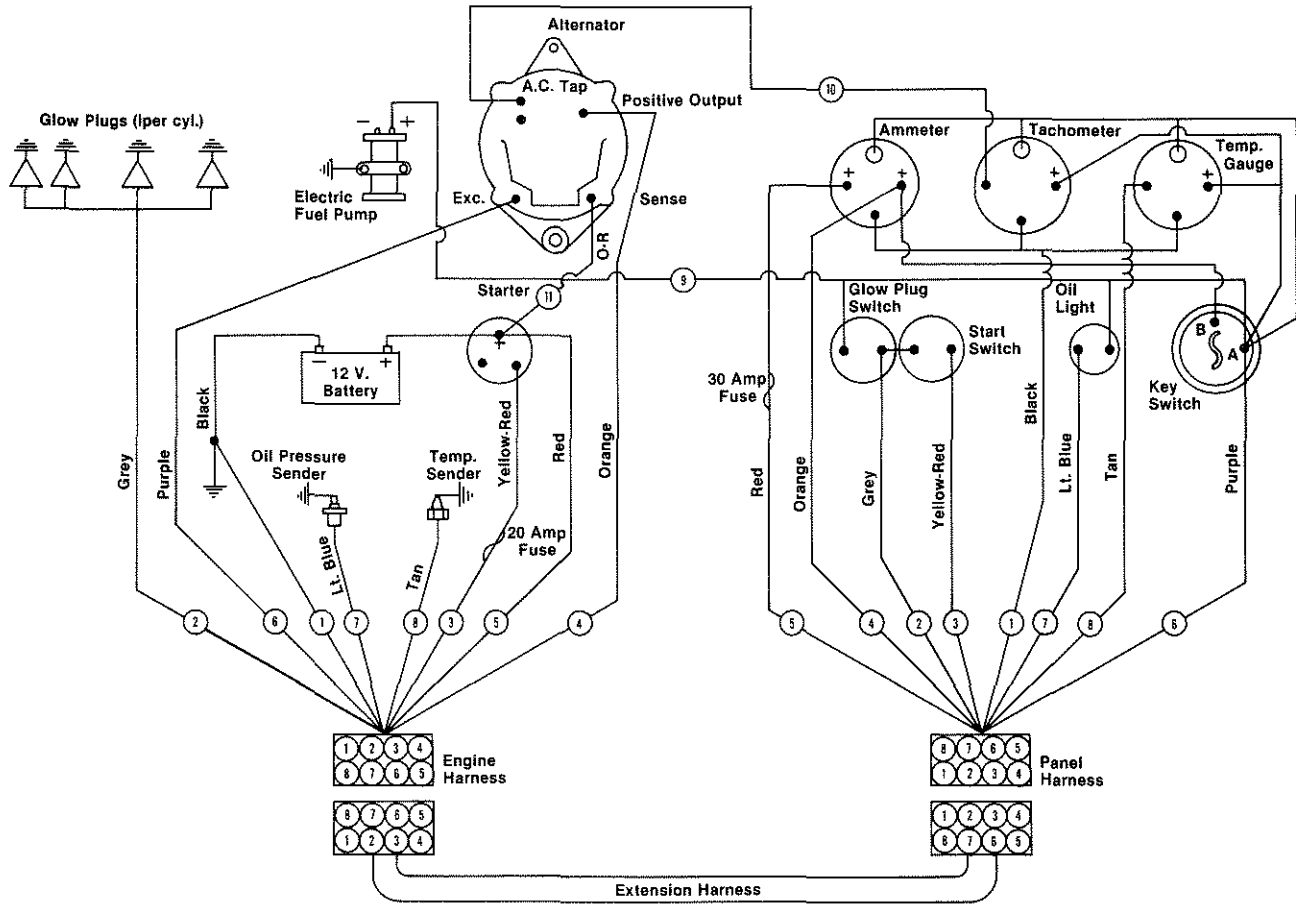
Use Sherwood Pump Kit #302838 or
Pump & Mtg. Kit #302837

SHERWOOD WATER PUMP NO. 302648



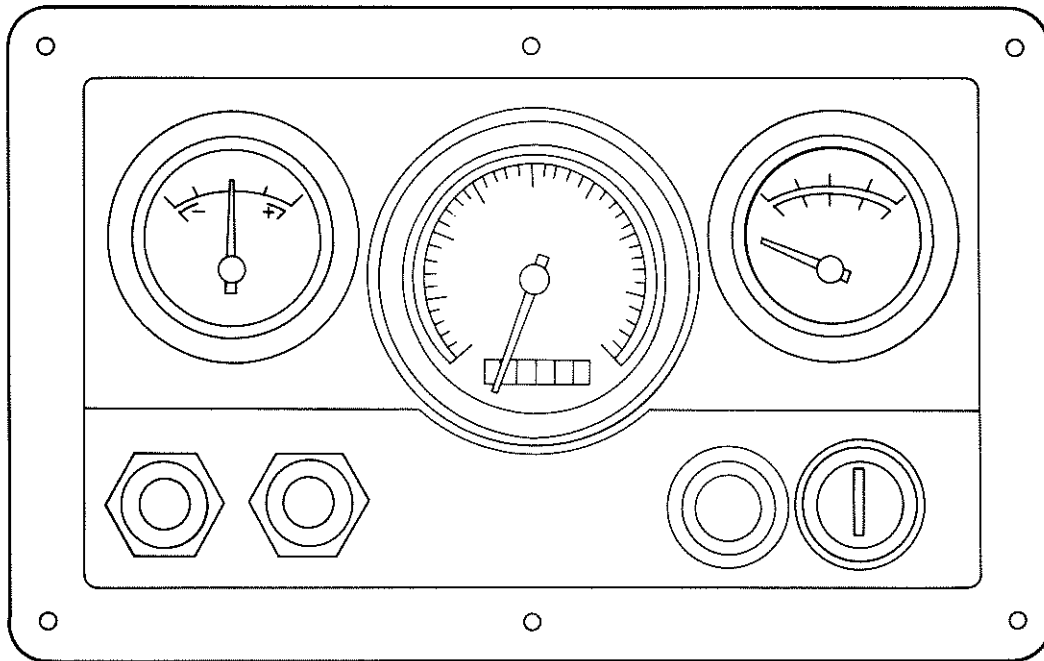
Item	Part No.	Unit	Description
1	302873	1	Impeller Housing
2	302877	1	O-Ring
3	302871	1	Cam Screw
4	302872	1	Cam
5	302875	1	Impeller
6	302867	1	Cir-Clip
7	302876	1	Flat Washer
8	302880	1	Seal Seat
9			Not Available Order #13
10	302868	1	Cir-Clip Internal
11	302867	1	Cir-Clip External
12	302884	2	Ball Bearing
13	302885	1	Seal & Seat Assembly
14	302867	1	Cir-Clip External
15	302874	1	Key
16	302865	1	Shaft
17	302878	1	End Plate
18	302879	1	Gasket
19	302882	1	Pump Body
20	302870	3	Lock Washer
21	302869	3	Bolt

WIRING DIAGRAM

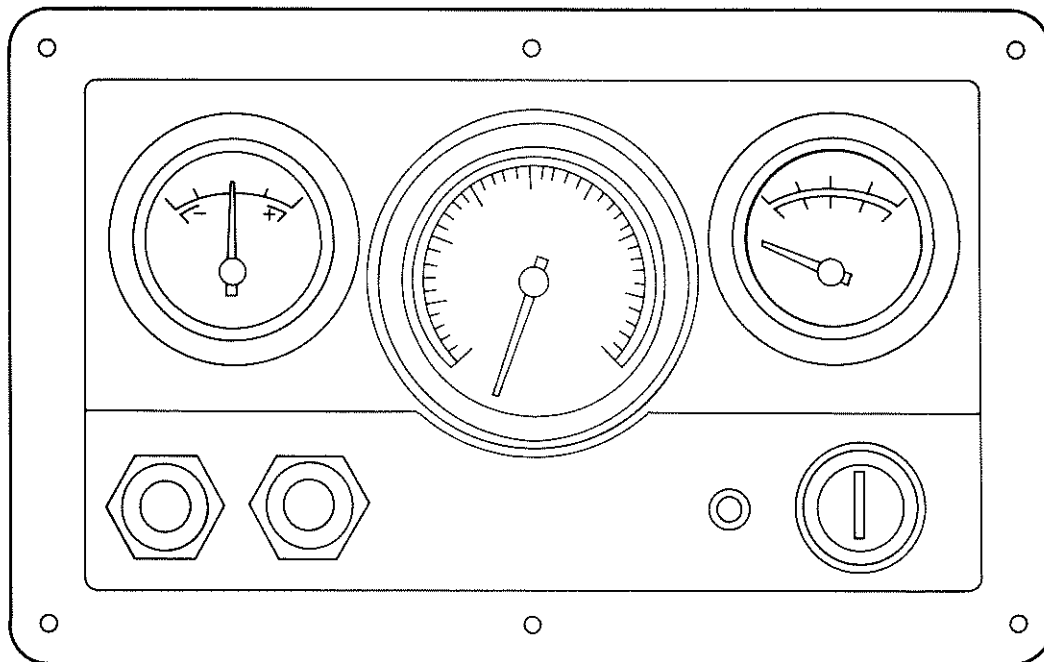


Wire No.	Color	Wire Size
1	Black	#10
2	Grey	10
3	Yellow-Red	16
4	Orange	10
5	Red	10
6	Purple	16
7	Lt. Blue	16
8	Tan	16
9	Open	14
10	Grey	16
11	Orange-Red	14

NOVATRON PANELS

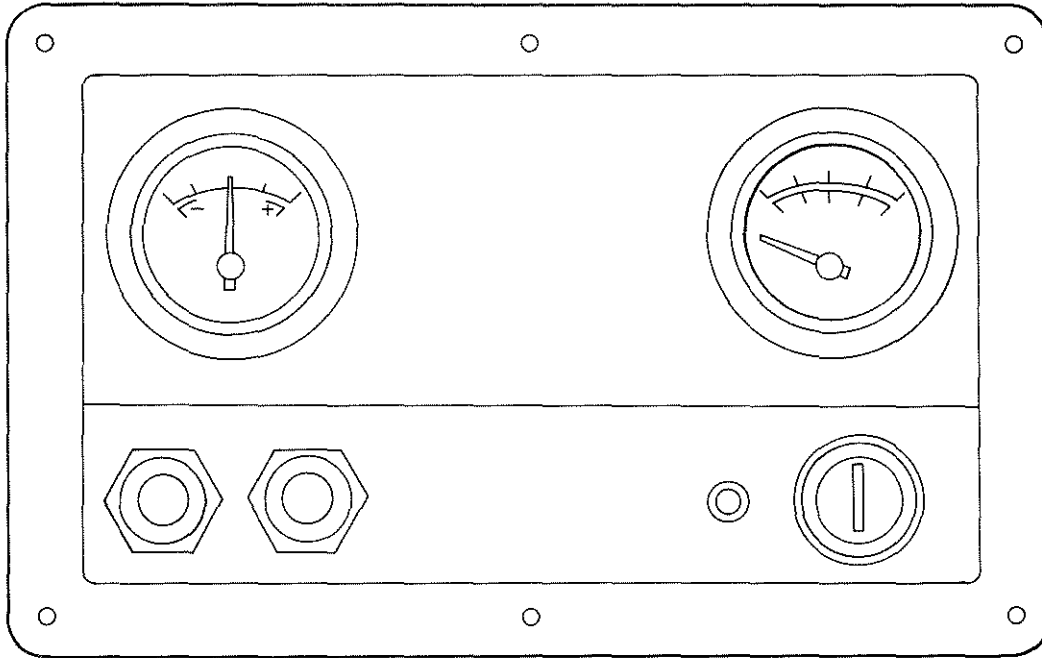


300690 CUSTOM PANEL
(With Tachometer - Hour Meter and Alarms)



300685 DELUXE PANEL
(With Tachometer)

NOVATRON PANELS



300680 STANDARD PANEL
(No Tachometer)

NOVATRON INSTRUMENT PANEL		
Part No.	Unit	Description
300690	Optional	Special Deluxe Panel-Tachometer w/Hourmeter w/Warning Light and Buzzer
301101	Optional	Blank Panel w/Holes
300685	Optional	Deluxe Panel - w/Tachometer
301100	1	Blank Panel w/Holes
300680	1	Standard Panel
301099	1	Blank Panel w/Holes
300668	1	Ammeter
300669	1	Oil Light
300670	1	Temperature Gauge
300671	1	Ignition Switch
300672	2	Glow and Start Button
300673	1	35 Amp Circuit Breaker
300674	1	10 Amp Circuit Breaker
300675	1	10 Foot Extension Harness
300676	1	Panel Harness Assembly
300684	Optional	Tachometer for 300685 Panel
300687	Optional	Tachmeter w/Hourmeter for 300690 Panel
300688	Optional	Buzz Light for 300690 Panel
300689	Optional	Tachometer Wire for 300690 Panel
300708	Optional	5 Foot Extension Harness
298586	Optional	Engine Harness

256902
"B" SPARE PARTS KIT M-35

256913
"A" SPARE PARTS KIT M-35

Top Gasket Set M-35 256931
Complete Gasket Set M-35 256932

STANDARD COUPLING KITS		
	Rigid	Flex
3/4"	256741	298568
7/8"	256742	298569
1"	256743	298484
1-1/8"	256744	298570
1-1/4"	256745	299300

V-DRIVE COUPLING KITS		
	Rigid	Flex
3/4"	256775	256780
7/8"	256776	256781
1"	256777	256782
1-1/8"	256778	256783
1-1/4"	256779	N/A